

MZN106 | Zanotti ZN Range Slide-In Refrigerated Chiller Systems

Refrigeration Systems

MZN106
ZANOTTI ZN RANGE SLIDE-IN REFRIGERATED CHILLER SYSTEMS

Condensate evaporation system eliminates the need for drainage

Simple plug-in operation reduces installation cost & time

Reliable L'Unite Hermetique compressor ensures unit longevity

Condenser cover included

Pre-wired for:
• Internal light
• Door switch
• Door heaters (Low temp units)

High 45°C tropical ambient temperature rating for reliability in Australian conditions

Advanced digital controllers (full function)

Three-pin plug with 2m lead for instant power connection



Internal light included



Drainage may be required in extreme ambient conditions or when storing high-water content produce

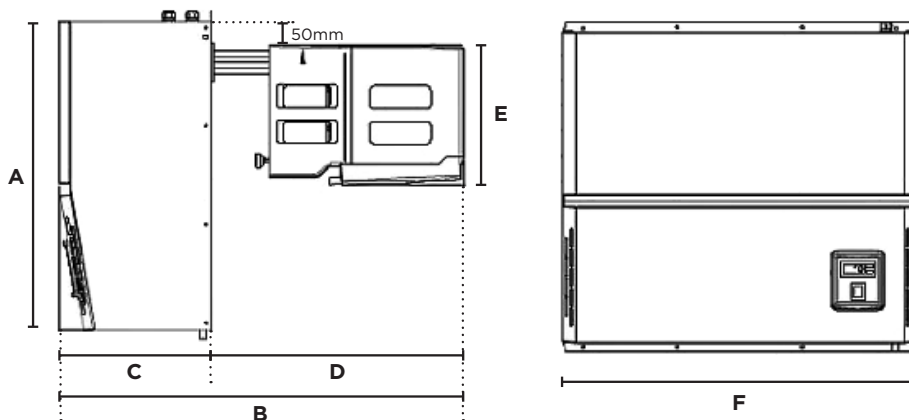


Digital Controller



MZN106 | Zanotti ZN Range Slide-In Refrigerated Chiller Systems

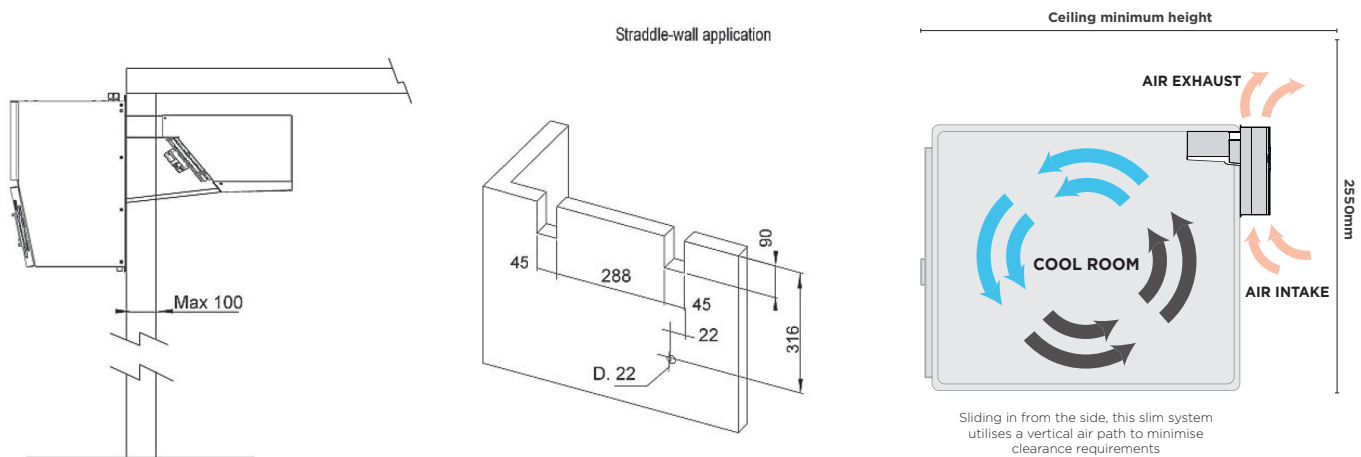
Refrigeration Systems



DIMENSIONS

	External (mm)
A	640
B	865
C	355
D	510
E	270
F	400

Mounting Scheme



Sliding in from the side, this slim system utilises a vertical air path to minimise clearance requirements

Part Number	3835210
Refrigeration Capacity	1355W
Temp. Range (°C)	-5 to +10°C
Max. Ambient Temp. (°C)	45°C
Run/Full-Load (Amps)	4.14/5.95A
Temp. Display	Digital
Internal Light	Yes
Gross Weight (kg)	41kg
Refrigerant	R404a
Power Supply	10A
Defrost Type	Electronic
Type of Control	Digital
Internal Light	Pre-Wired
Heated Door Trim	No
Drainage Required	No
Warranty	1 Year, Parts only
Warranty Service	Bromic Extra Care

Tc °C	Ta °C	P		V100 m³	V80 m³	V60 m³
		watt	Kcal/h			
10	20	1777	1528	17	15	14
	25	1699	1461	16	15	13
	30	1599	1375	14	13	12
	35	1490	1281	13	12	11
	40	1382	1189	12	11	10
5	45	1288	1108	11	10	9.1
	20	1577	1356	14	13	12
	25	1452	1249	13	12	11
	30	1355	1165	11	10	9.1
	35	1272	1094	10	9.1	8.3
0	40	1189	1023	9.4	8.6	7.8
	45	1094	941	8.4	7.6	7
	20	1378	1185	12	11	10
	25	1269	1091	10	9.1	8.3
	30	1186	1020	9.4	8.6	7.8
-5	35	1111	955	8.6	7.8	7.1
	40	1028	884	7.6	6.9	6.3
	45	921	792	6.5	5.9	5.4
	20	1203	1035	9.6	8.7	8
	25	1107	952	8.5	7.7	7.1
	30	1026	882	7.6	6.9	6.3
	35	952	819	6.8	6.2	5.6
	40	876	753	6	5.5	5
	45	790	679	5.2	4.7	4.3

* Medium temp rated at 5°C internal temperature and 30°C ambient temperature.