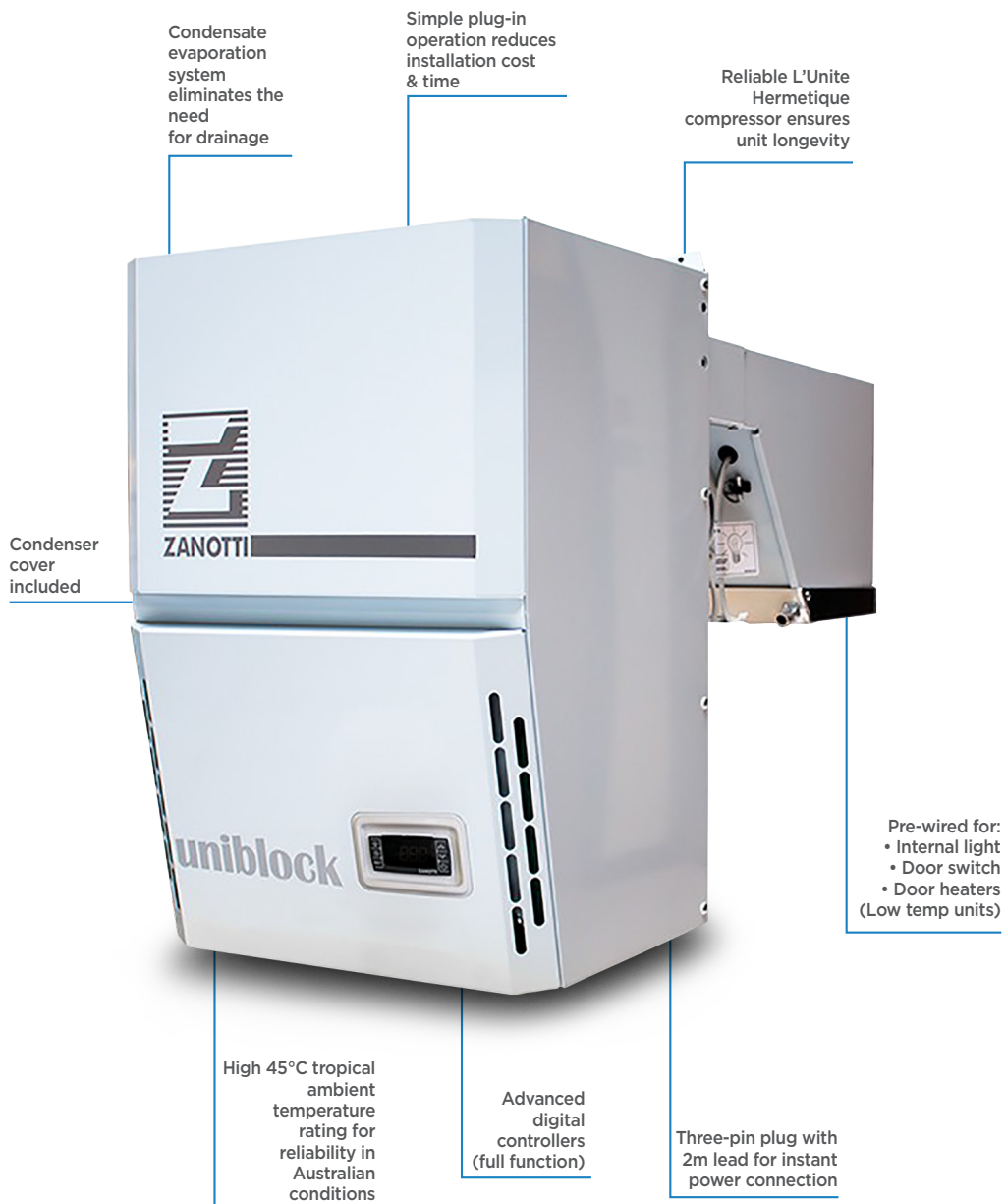


MZN110 | Zanotti ZN Range Slide-In Refrigerated Chiller Systems

Refrigeration Systems

MZN110

ZANOTTI ZN RANGE SLIDE-IN REFRIGERATED CHILLER SYSTEMS



Internal light included



Drainage may be required in extreme ambient conditions or when storing high-water content produce

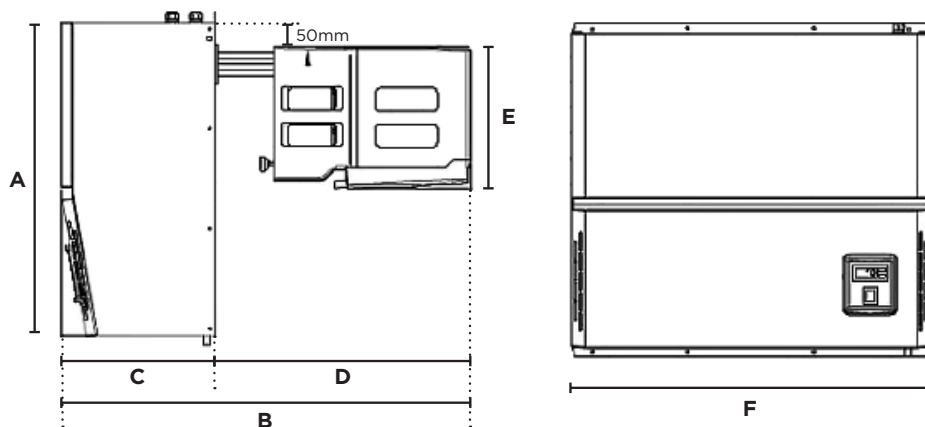


Digital Controller



MZN110 | Zanotti ZN Range Slide-In Refrigerated Chiller Systems

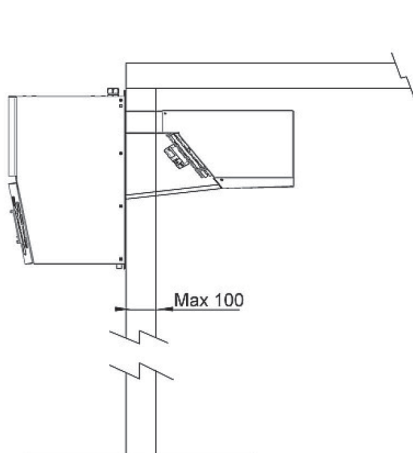
Refrigeration Systems



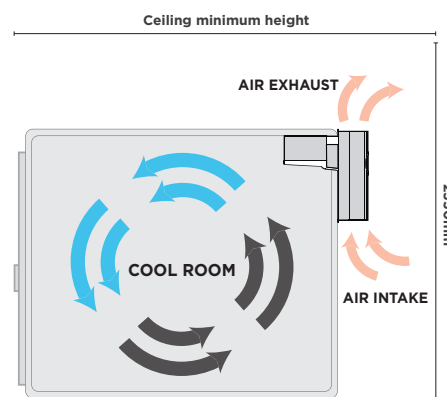
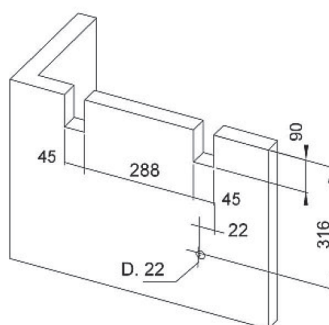
DIMENSIONS

	External (mm)
A	640
B	865
C	355
D	510
E	270
F	400

Mounting Scheme



Straddle-wall application



Sliding in from the side, this slim system utilises a vertical air path to minimise clearance requirements

Part Number	3835211
Refrigeration Capacity	1704W
Temp. Range (°C)	-5 to +10°C
Max. Ambient Temp. (°C)	45°C
Run/Full-Load (Amps)	5.19/7.32A
Temp. Display	Digital
Internal Light	Yes
Gross Weight (kg)	50kg
Refrigerant	R404a
Power Supply	10A
Defrost Type	Electronic
Type of Control	Digital
Internal Light	Pre-Wired
Heated Door Trim	No
Drainage Required	No
Warranty	1 Year, Parts only
Warranty Service	Bromic Extra Care

Tc °C	Ta °C	P watt	P Kcal/h	V100 m³	V80 m³	V60 m³
	20	2223	1912	22	20	18
	25	2152	1851	21	19	17
10	30	2047	1760	19	17	16
	35	1912	1644	17	15	14
	40	1753	1508	16	15	13
	45	1572	1352	14	13	12
	20	2004	1723	19	17	16
	25	1846	1588	17	15	14
5	30	1704	1465	16	15	13
	35	1577	1356	14	13	12
	40	1464	1259	13	12	11
	45	1363	1172	11	10	9.1
	20	1758	1512	16	15	13
	25	1604	1379	14	13	12
0	30	1490	1281	13	12	11
	35	1393	1198	12	11	10
	40	1287	1107	11	10	9.1
	45	1151	990	9	8.2	7.5
	20	1524	1311	13	12	11
	25	1400	1204	12	11	10
-5	30	1293	1112	11	10	9.1
	35	1191	1024	9.5	8.6	7.9
	40	1084	932	8.3	7.6	6.9
	45	960	826	6.9	6.3	5.7

* Medium temp rated at 5°C internal temperature and 30°C ambient temperature.