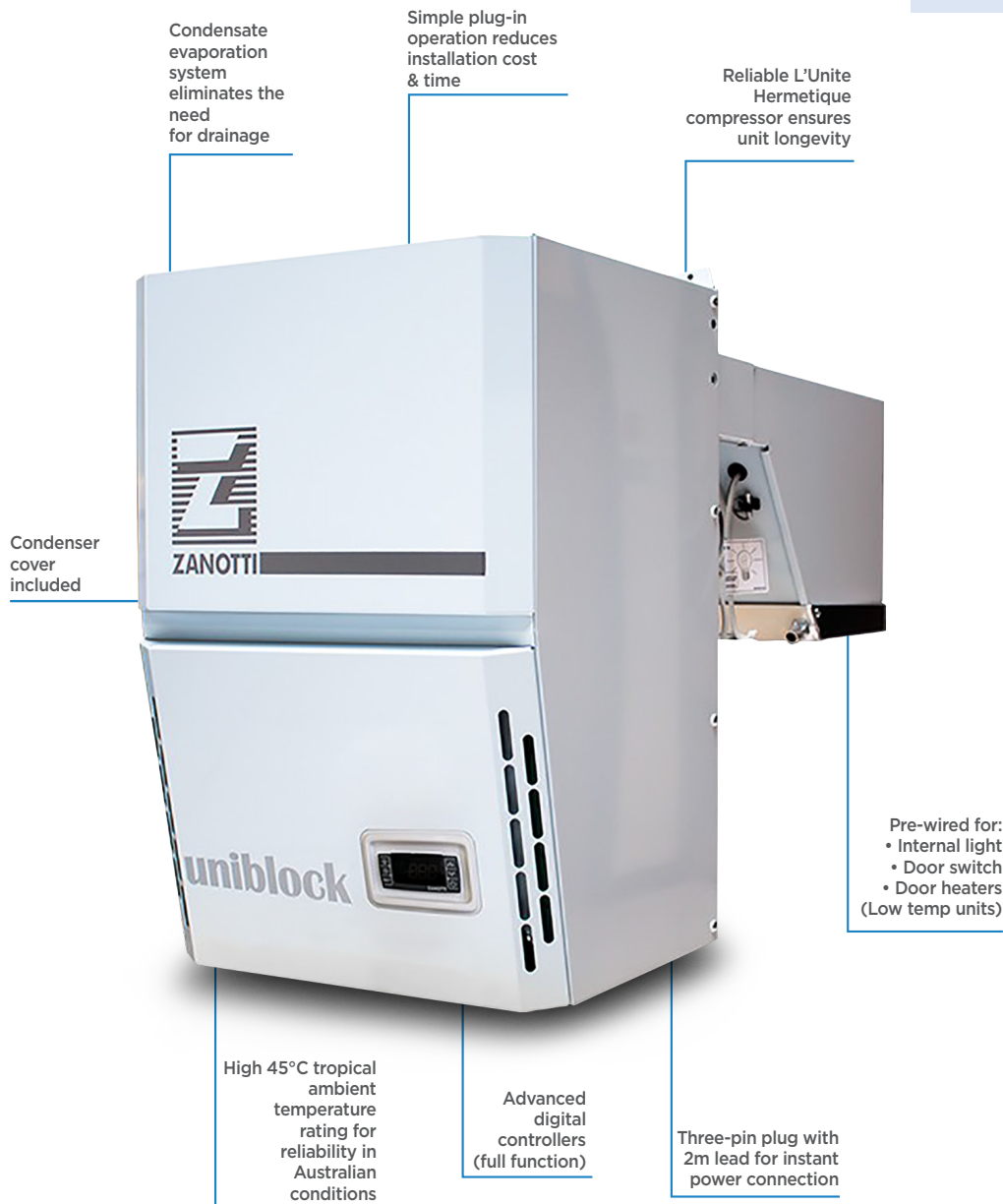


# MZN211 | Zanotti ZN Range Slide-In Refrigerated Chiller Systems

## Refrigeration Systems

**MZN211**

**ZANOTTI ZN RANGE SLIDE-IN REFRIGERATED CHILLER SYSTEMS**



Internal light included



Drainage may be required in extreme ambient conditions or when storing high-water content produce

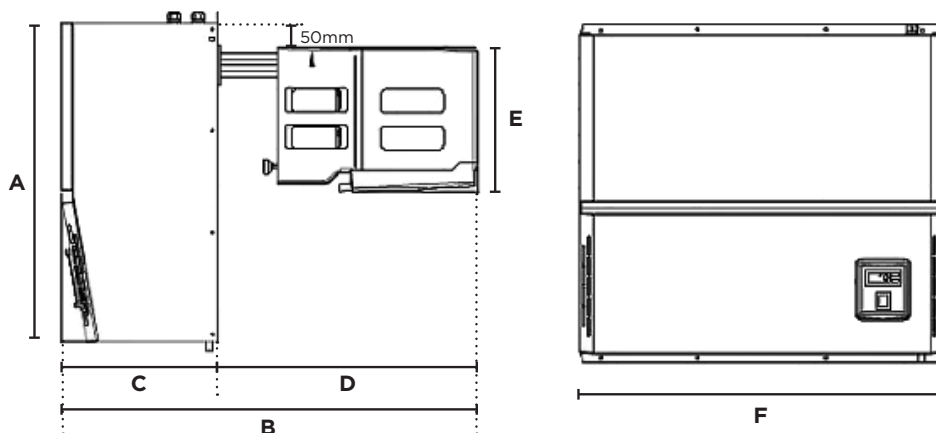


Digital Controller



## MZN211 | Zanotti ZN Range Slide-In Refrigerated Chiller Systems

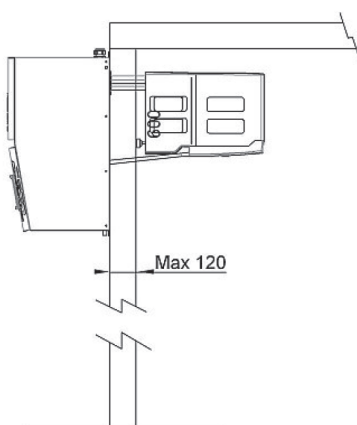
### Refrigeration Systems



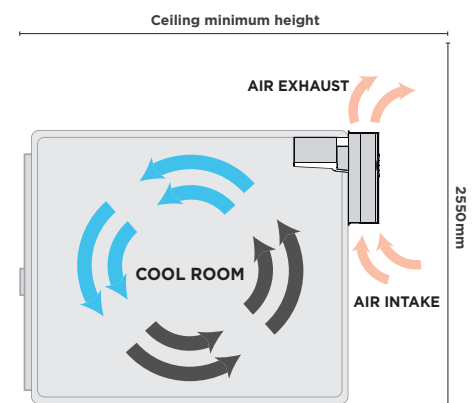
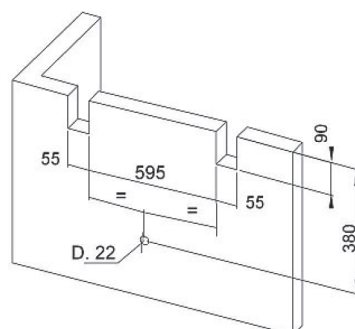
### DIMENSIONS

External (mm)	
A	660
B	865
C	325
D	540
E	300
F	760

### Mounting Scheme



### Straddle-wall application



Sliding in from the side, this slim system utilises a vertical air path to minimise clearance requirements

### SPECIFICATIONS

Part Number	3835212
Refrigeration Capacity	2299W
Temp. Range (°C)	-5 to +10°C
Max. Ambient Temp. (°C)	45°C
Run/Full-Load (Amps)	6.54/8.20A
Temp. Display	Digital
Internal Light	Yes
Gross Weight (kg)	68kg
Refrigerant	R404a
Power Supply	10A
Defrost Type	Electronic
Type of Control	Digital
Internal Light	Pre-Wired
Heated Door Trim	No
Drainage Required	No
Warranty	1 Year, Parts only
Warranty Service	Bromic Extra Care

### POWER DATA

Tc °C	Ta °C	P watt	P Kcal/h	V100 m³	V80 m³	V60 m³
10	20	3017	2595	34	31	28
	25	2884	2480	32	29	27
	30	2715	2335	29	26	24
	35	2526	2172	26	24	22
	40	2335	2008	24	22	20
5	45	2156	1854	21	19	17
	20	2669	2295	29	26	24
	25	2468	2122	26	24	22
	30	2299	1977	23	21	19
	35	2148	1847	21	19	17
0	40	1999	1719	19	17	16
	45	1837	1580	17	15	14
	20	2332	2006	24	22	20
	25	2144	1844	21	19	17
	30	2000	1720	19	17	16
-5	35	1869	1607	18	16	15
	40	1725	1484	16	15	13
	45	1539	1324	14	13	12
	20	2030	1746	19	17	16
	25	1868	1606	18	16	15
-5	30	1717	1477	16	15	13
	35	1573	1353	14	13	12
	40	1430	1230	12	11	10
45	1283	1103	11	10	9.1	

\* Medium temp rated at 5°C internal temperature and 30°C ambient temperature.

BROMIC PTY Ltd reserve the right to alter specifications without notice.