

MZN320 | Zanotti ZN Range Slide-In Refrigerated Chiller Systems

Refrigeration Systems

MZN320
ZANOTTI ZN RANGE SLIDE-IN REFRIGERATED CHILLER SYSTEMS

Condensate evaporation system eliminates the need for drainage

Simple plug-in operation reduces installation cost & time

Reliable L'Unite Hermetique compressor ensures unit longevity

Condenser cover included

Pre-wired for:
• Internal light
• Door switch
• Door heaters (Low temp units)

High 45°C tropical ambient temperature rating for reliability in Australian conditions

Advanced digital controllers (full function)

Three-pin plug with 2m lead for instant power connection



Internal light included



Drainage may be required in extreme ambient conditions or when storing high-water content produce

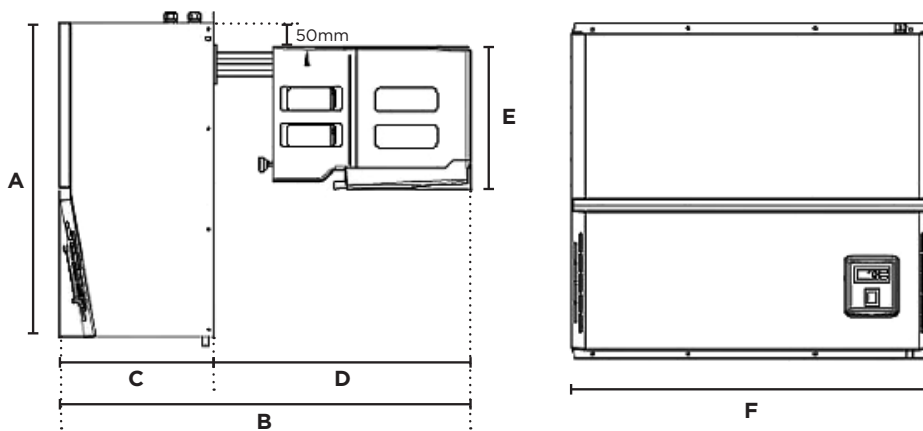


Digital Controller



MZN320 | Zanotti ZN Range Slide-In Refrigerated Chiller Systems

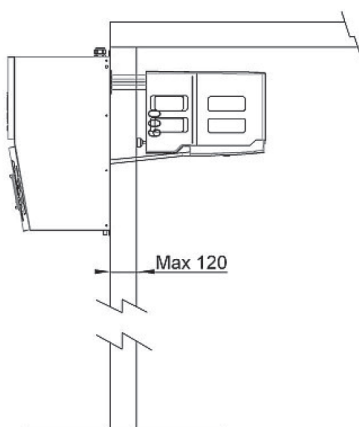
Refrigeration Systems



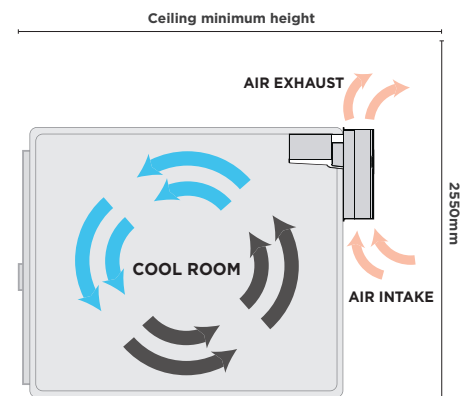
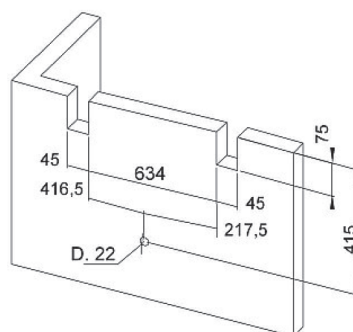
DIMENSIONS

	External (mm)
A	660
B	1055
C	430
D	625
E	375
F	760

Mounting Scheme



Straddle-wall application



Sliding in from the side, this slim system utilises a vertical air path to minimise clearance requirements

Part Number	3835215
Refrigeration Power	4463W
Temp. Range (°C)	-5 to +10°C
Max. Ambient Temp. (°C)	45°C
Run/Full-Load (Amps)	12/21.2A
Temp. Display	Digital
Internal Light	Yes
Gross Weight (kg)	95kg
Refrigerant	R404a
Power Supply	25A
Defrost Type	Electronic
Type of Control	Digital
Internal Light	Pre-Wired
Heated Door Trim	No
Drainage Required	No
Warranty	1 Year, Parts only
Warranty Service	Bromic Extra Care

POWER DATA

Tc °C	Ta °C	P watt	P Kcal/h	V100 m³	V80 m³	V60 m³
10	20	5926	5096	80	73	66
	25	5579	4798	74	67	61
	30	5193	4466	68	62	56
	35	4764	4097	61	56	51
	40	4288	3688	54	49	45
5	45	3760	3234	45	41	37
	20	5285	4545	70	64	58
	25	4813	4139	62	56	51
	30	4463	3838	57	52	47
	35	4156	3574	52	47	43
0	40	3814	3280	46	42	38
	45	3359	2889	39	35	32
	20	4546	3910	58	53	48
	25	4177	3592	52	47	43
	30	3866	3325	47	43	39
-5	35	3578	3077	43	39	36
	40	3281	2822	38	35	32
	45	2939	2528	33	30	27
	20	3920	3371	48	44	40
	25	3594	3091	43	39	36
-5	30	3302	2840	38	35	32
	35	3026	2602	34	31	28
	40	2742	2358	30	27	25
45	2431	2091	25	23	21	

* Medium temp rated at 5°C internal temperature and 30°C ambient temperature.