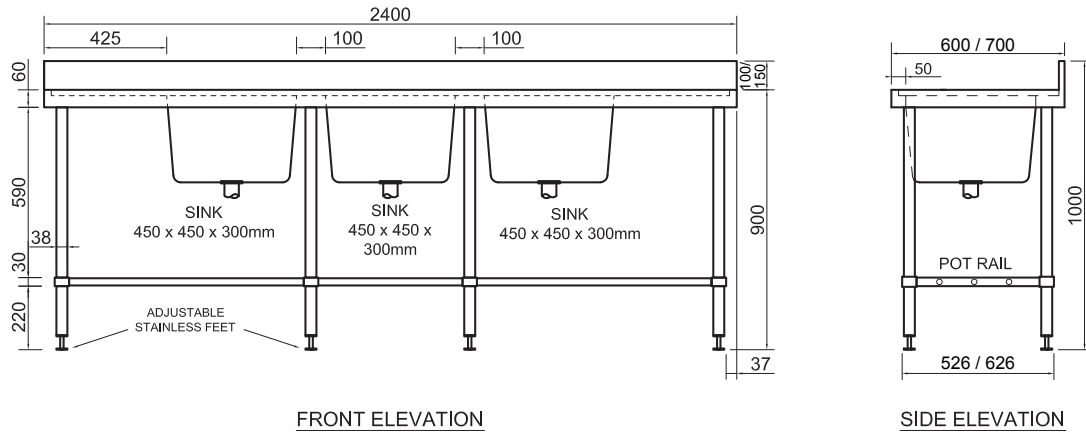


Product Information:

- Wet bench with three central fabricated bowls, available in 600mm or 700mm depth
- 1.2mm thick 304 stainless steel top
- Large single channel stainless steel top hat stiffening
- 38mm diameter stainless steel tube legs, 1.2mm thick
- Adjustable stainless steel disk feet fitted as standard
- 19mm diameter stainless steel tube under-shelf, 1.2mm thick
- 100mm splashback (600 series) or 150mm splashback with beveled edge (700 series)
- Vermin proofing included behind upstand with pre drilled holes for fixing bench to rear wall
- Fully welded and polished bowls - 450 x 450 x 300mm deep
- Stainless steel sink bowl cover available to suit
- Eight legs to offer extra support
- **Pre-punched waste hole to suit 90mm waste, supplied with Watermark approved commercial grade basket arrestor sink waste**
- Supplied flat packed ready for assembly



General Drawing:



Specifications:

SS24.2400 2400mm x 600mm x 900mm

SS24.7.2400 2400mm x 700mm x 900mm