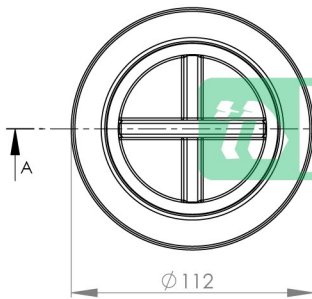
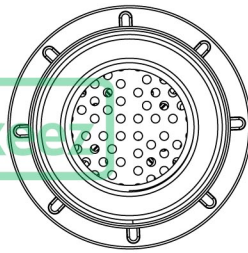


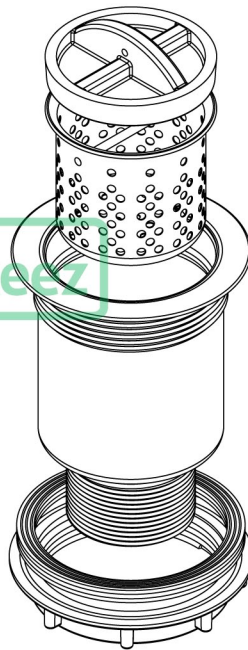
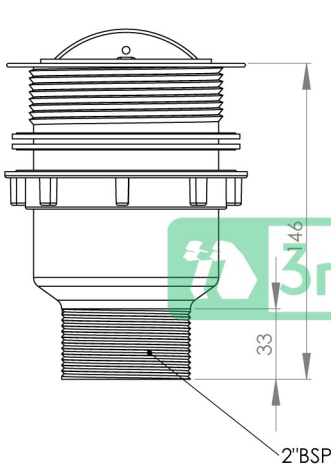
Top



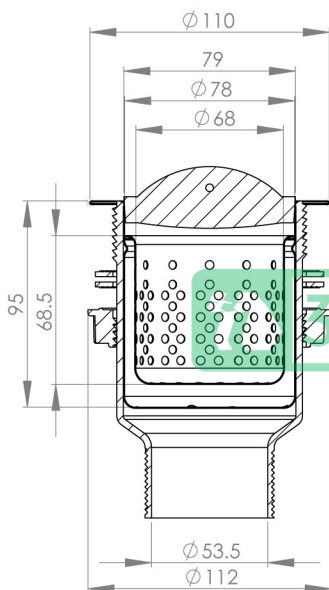
Bottom



Side



Cross-section A-A



Product Code:

SSBW**P-PLUGSSBW (Plug only)****P-BASKETSSBW (Basket only)**

An innovative product that is perfect for use in food preparation areas, the SSBW suits a standard 90mm waste outlet with 50mm BSP thread/connection. Features include a removable stainless steel basket with fixed secondary strainer.

Features and Benefits:

- Sydney Water Approval Number: 2006-372
- Watermark Approval Number: 40055
- Removable stainless steel strainer basket
- Fixed secondary strainer
- Complete with removable plug
- Can be retro fitted to 90mm outlet
- In stock and available for immediate delivery

SCRAPTRAP
THE WASTE ARRESTOR FOR ALL IN COMMERCIAL & DOMESTIC USE

W
ATS 5200.040
C of C: 40055

Unit 6, 24 Wellington Street, Riverstone NSW 2765

Tel: 02 9627 6111 Fax: 02 9627 3111

sales@3monkeez.com.au

www.3monkeez.com.au

Details accurate at time of print. It is possible that some details may change without notice. Whilst all care has been taken in compiling this information, designs & dimensions shown are indicative only and should not be relied upon without prior approval.

3monkeez
another great idea.