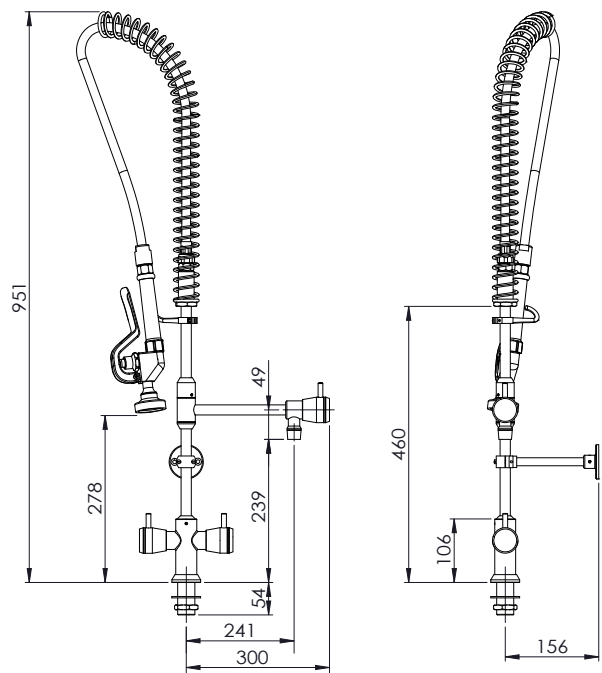
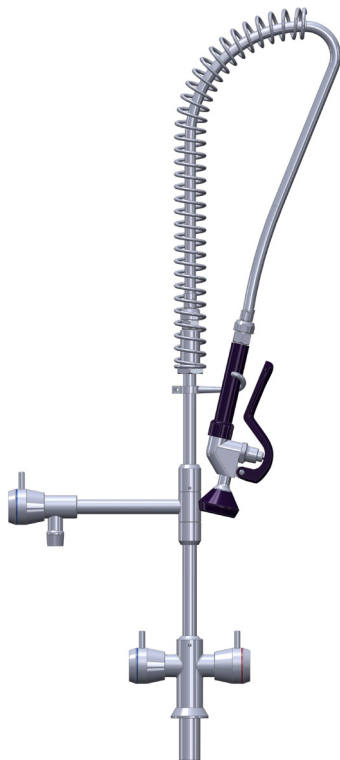


Pre-Rinse Spray Unit

Model: **CMPL.0841**

Features and Benefits:

- WaterMark certified, install with confidence
- Chrome plated brass top body, with stainless steel spray and hose
- Easy to use, ergonomic handle design
- RINSEJET style spray pattern swiftly removes excess food and grime so less time spent at the sink doing dishes
- 1.1m heavy duty stainless steel clad flexible hose tested to 400 PSI
- Self-closing trigger spray turns off water when not in use
- Pot filler tap with swivel spout as standard
- Strong wall support bracket
- **24 months parts warranty only**



Specifications:

Recommended Working Pressure	250 - 500 kPa
Maximum Outlet Pressure	500 kPa
Maximum Working Temperature	80°C

Model No.	W x D x H (mm)
CMPL.0841	250 x 156 x 951



Proudly Manufactured in Australia

Due to continuous product research and development, the information contained herein is subject to change without notice.

Revision: A - 29/09/2021

www.stoddart.com.au
www.stoddart.co.nz

