

## BASINS

### Round Wash Basin Wand Operated - Wall Mounted



The Round Wand Operated Wash Basin from Stoddart promotes clean hands with hygienic hands free wand operation in kitchens and laboratories.

This basin is ideal for small kitchens found in service stations, roadhouses and convenience stores where staff handle food.

#### Models:

##### SPPL.WB.R.WM.WO

Code explanation:

SPPL = Standard Product Plumbing

WB = Wash basin

R = Round

WM = Wall mounted

WO = Wand operated

eg.: for specification and ordering

SPPL.WB.R.WM.WO

#### Mixing Valves:



TV  
Tempering  
Valve

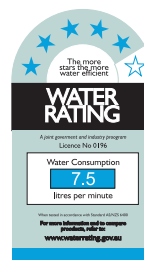


TMVE  
Thermostatic  
Mixing Valve



#### Features and Benefits:

- Unit comes complete with splashback to meet regulation requirements, no tiles required.
- Wand activated timed flow valve provides hands free water access for easy hand washing and superior water conservation.
- Supplied with a tempering valve, which controls water temperature for more effective hygiene.
- Designed for easy installation and years of trouble free service.



Due to product research and development, the information contained herein is subject to change without notification

Data Sheet Revision Date 17/02/2016

**Manufactured by:**  
Tom Stoddart Pty Ltd. ABN 16 009690251  
39 Forest Way, Karawatha 4117, Queensland Australia

**4-13**

Tel +61 7 3440 7600, Fax +61 7 3344 1000  
Web site: [www.stoddartplumbing.com.au](http://www.stoddartplumbing.com.au)  
Email: [plumbing@stoddart.com.au](mailto:plumbing@stoddart.com.au)

**Specifications:**

**Construction:** 1.2mm 304 grade stainless steel construction, no.4 satin finish. Pre-plumbed. Supplied with wand operated valve.  
**Water Supply:** 15mm (1/2" BSP).  
**Waste Connection:** 40mm PVC waste supplied (Trap by others).  
**Unit Fixing:** Unit is supplied with wall mounting bracket with 10mm fixing holes. Basin is fixed with 6mm fixings.

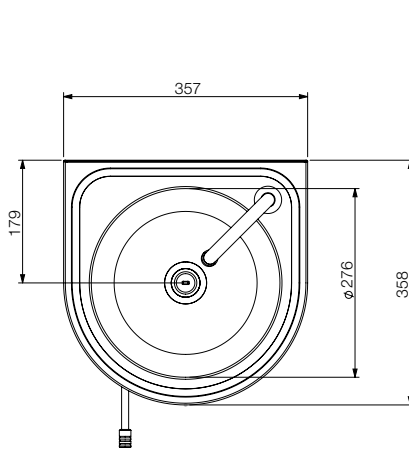
**Models:**
**SPPL.WB.R.WM.WO**

Code explanation:

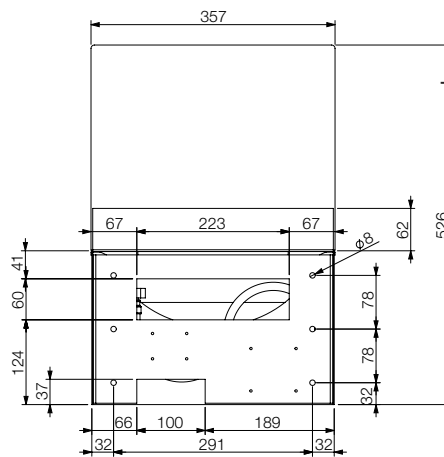
SPPL = Standard Product Plumbing  
 WB = Wash basin  
 R = Round  
 WM = Wall mounted  
 WO = Wand operated  
 eg.: for specification and ordering  
 SPPL.WB.R.WM.WO

**Mixing Valves:**

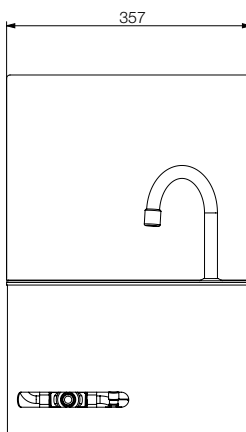
 TV  
 Tempering  
 Valve

 TMVE  
 Thermostatic  
 Mixing Valve


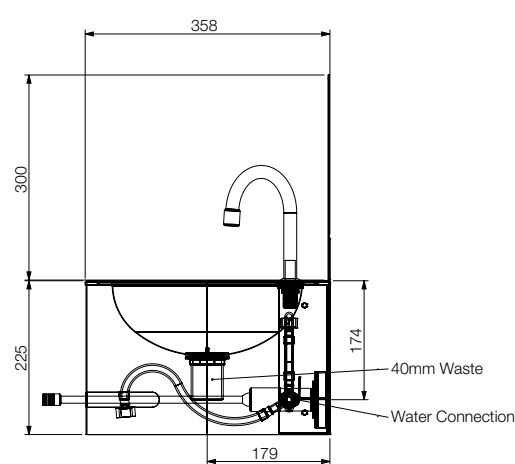
PLAN VIEW



REAR VIEW



FRONT VIEW



END VIEW

Model No.	Width (mm)	Length (mm)	Height (mm)
SPPL.WB.R.WM.WO	358	357	525