



# Smartwash

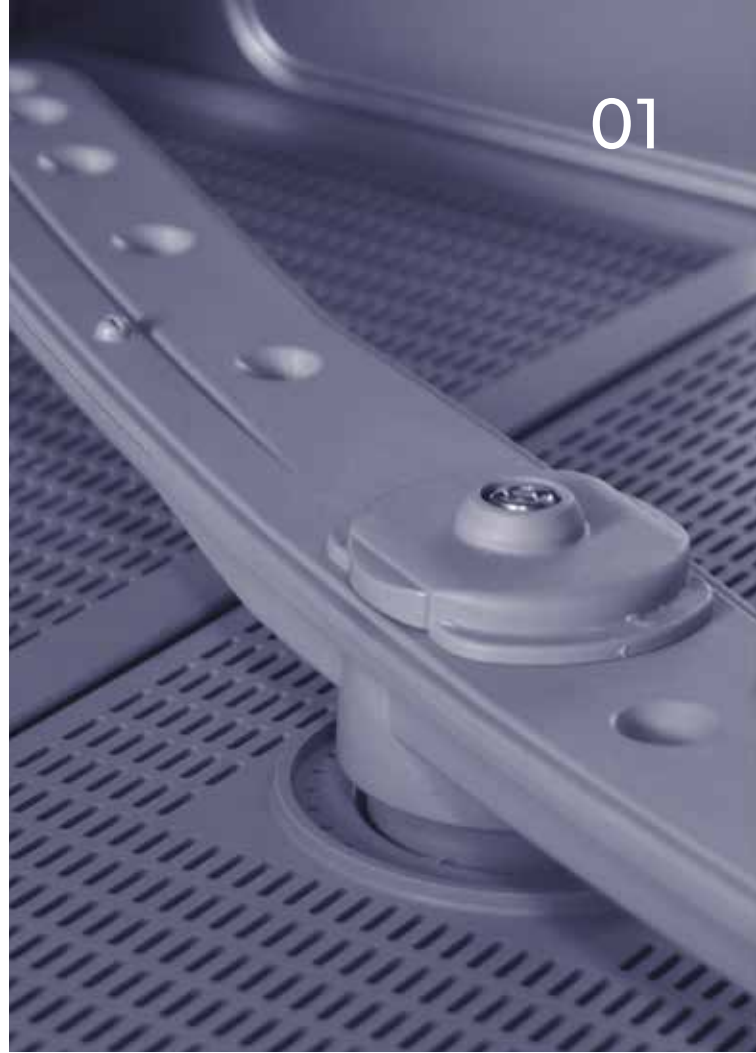
# Professional

# Undercounter

# Warewasher

**SW500**

Professional Undercounter Warewasher



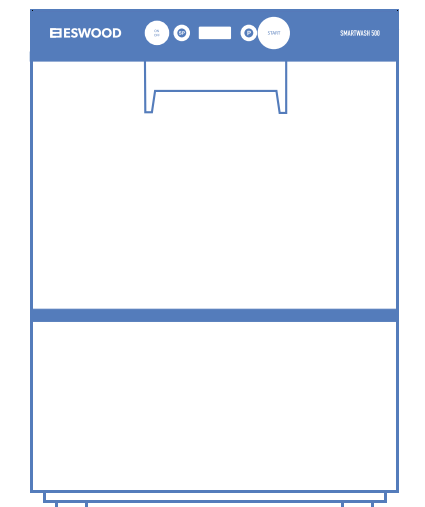
# Smartwash

## Undercounter Warewasher

The New Smartwash Range of undercounter warewasher is the first attractive, intelligent, one touch warewashing system in Australia that offers incredibly sustainable results in water and energy consumption.

This professional warewasher offers the first one touch control panel with digital wash and rinse temperature displays for easy HACCP recording for accurate food safety reporting. These machines are sleek and compact because we know space is of the essence and presentation is key.

Only Smartwash offers you a warewasher with one touch control, drain pump fitted as standard, a self cleaning cycle and 4 wash cycle options, offering you an economical and sustainable solution for your business.



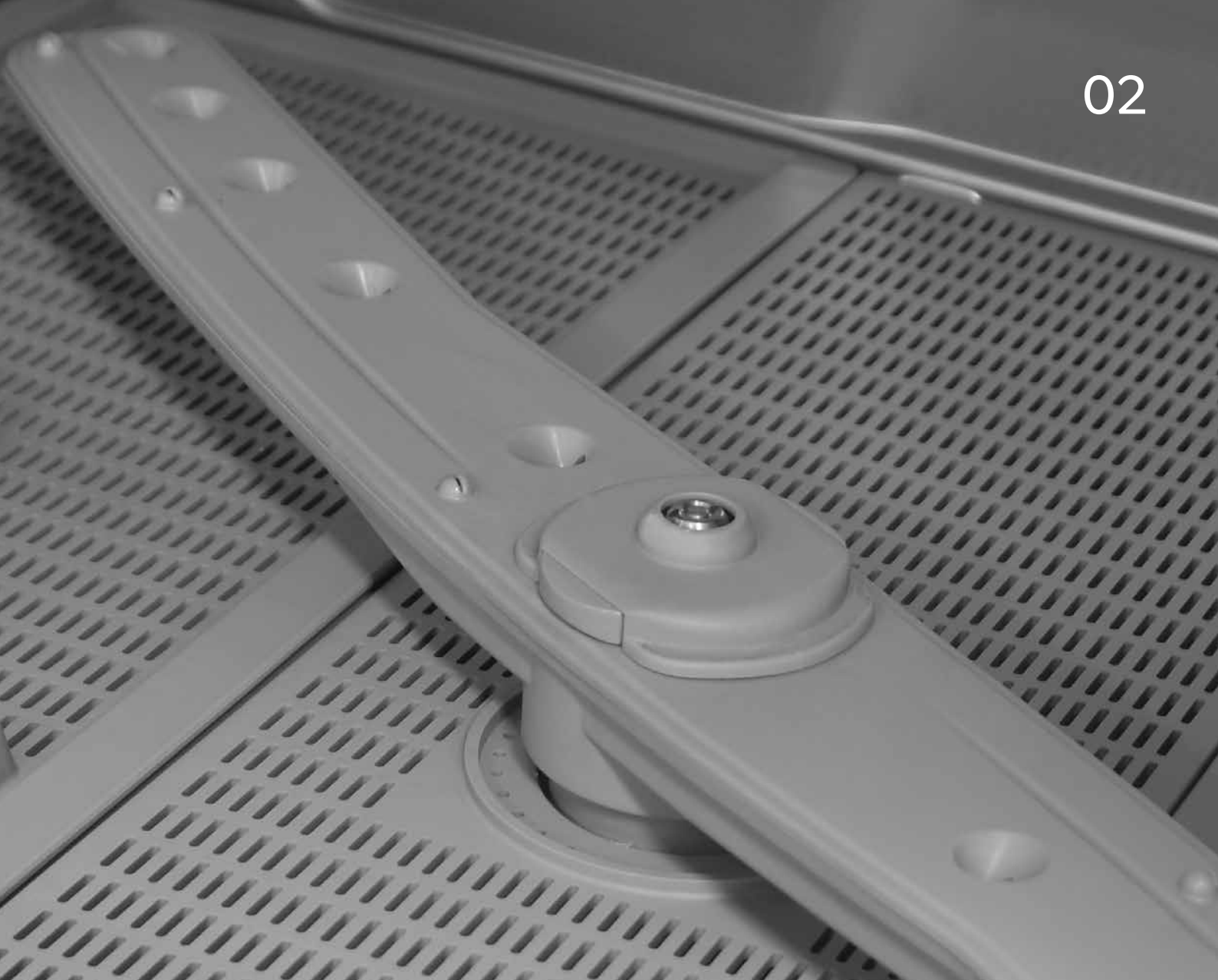
**[middleby.com.au](http://middleby.com.au)**

211–217 Woodpark Road SMITHFIELD NSW 2164

T: 1800 013 123

E: [sales@middleby.com.au](mailto:sales@middleby.com.au)

**ESWOOD**




---

Up to 500 x 350mm plates per hour  
Up to 2000 glasses per hour

---

User friendly TOUCH control panel with digital wash and rinse temperature displays for easy HACCP recording

---

Water saving – uses only 2.5 litres per cycle

---

Four wash cycles of 60, 90 & 180 seconds + special (time variable wash cycle chosen by operator – time limit 12 min)

---

Generous 365mm door height opening will take the largest of plates, pizza trays, kitchen utensils and tall stem glassware

---



---

Extra special 6 minute "scrub cycle" for more soiled product

---

Self cleaning cycle, easily removable spray arms & filters together with a pressed wash tank

---

Double skinned door drastically reduces heat & sound emissions

---

Self-Diagnostic system for accurate fault finding & reduced ownership costs

---

Thermostop Function to ensure set rinse temperature is achieved

---

**[middleby.com.au](http://middleby.com.au)**

211–217 Woodpark Road SMITHFIELD NSW 2164

**T:** 1800 013 123

**E:** [sales@middleby.com.au](mailto:sales@middleby.com.au)

**ESWOOD**

- A. Drain Connection 20mm ID Hose
- B. Water Connection: 3/4" x 1.5 Braided Hose
- C. Electrical Connection: 2m 15A Plug

# SW500

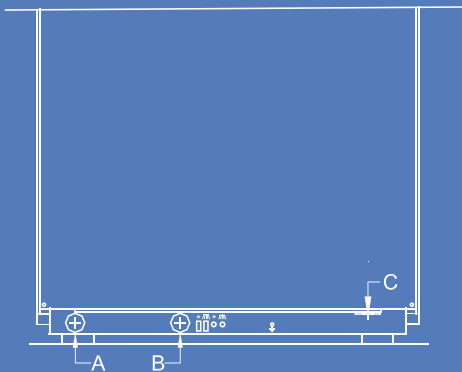
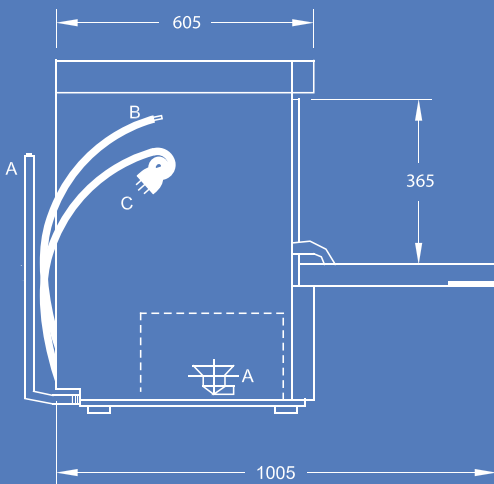
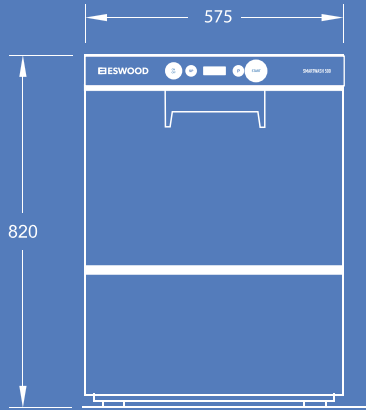
## Professional Undercounter Warewasher

Utilises 500 x 500mm Dish/Cup/Glass Rack

### SW500 Specifications

<b>DIMENSIONS (WxDxH)</b>	575 x 605 x 820mm
<b>DOOR ENTRY</b>	365mm
<b>RACK SIZE (WxD)</b>	500 x 500mm
<b>ELECTRIC CONNECTION</b>	240V / 50Hz / 1 Phase
<b>RATING</b>	3.2 kW
<b>WATER SUPPLY</b>	65°C / 2-4 bar (28-58 psi)
<b>MEAL SERVICE</b>	30 – 60 pax
<b>SELF CLEANING CYCLE</b>	YES
<b>WASH CYCLE</b>	60 / 90 / 180 sec + special
<b>WATER CONSUMPTION</b>	Approx. 2.5L per cycle
<b>DOOR CONSTRUCTION</b>	Double-Skinned
<b>WASH / RINSE ARMS</b>	Hydrodynamic Parallel
<b>CONTROL PANEL</b>	Advanced Electronic Soft-Pad
<b>TEMPERATURE GAUGE</b>	Fitted
<b>SELF-DIAGNOSTIC SYSTEM</b>	Fitted
<b>RINSE-AID &amp; DETERGENT PUMP</b>	Fitted
<b>DRAIN PUMP</b>	Fitted
<b>2 X REAR STAINLESS STEEL CASTORS</b>	Fitted
<b>THERMOSTOP, TANK STRAINERS</b>	Fitted
<b>WATERMARK APPROVAL</b>	WMKT25317
<b>HACCP APPROVAL</b>	PE-388-GE-09

Dimensions may change without notice in accordance with product development and design



Proudly Distributed By

**middleby.com.au**

211-217 Woodpark Road SMITHFIELD NSW 2164

T: 1800 013 123

E: sales@middleby.com.au