



Smartwash Professional Warewasher

SW900X

Professional Pass-through Warewasher



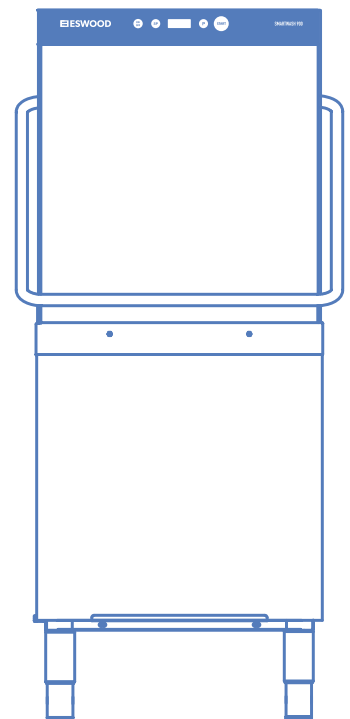
Smartwash

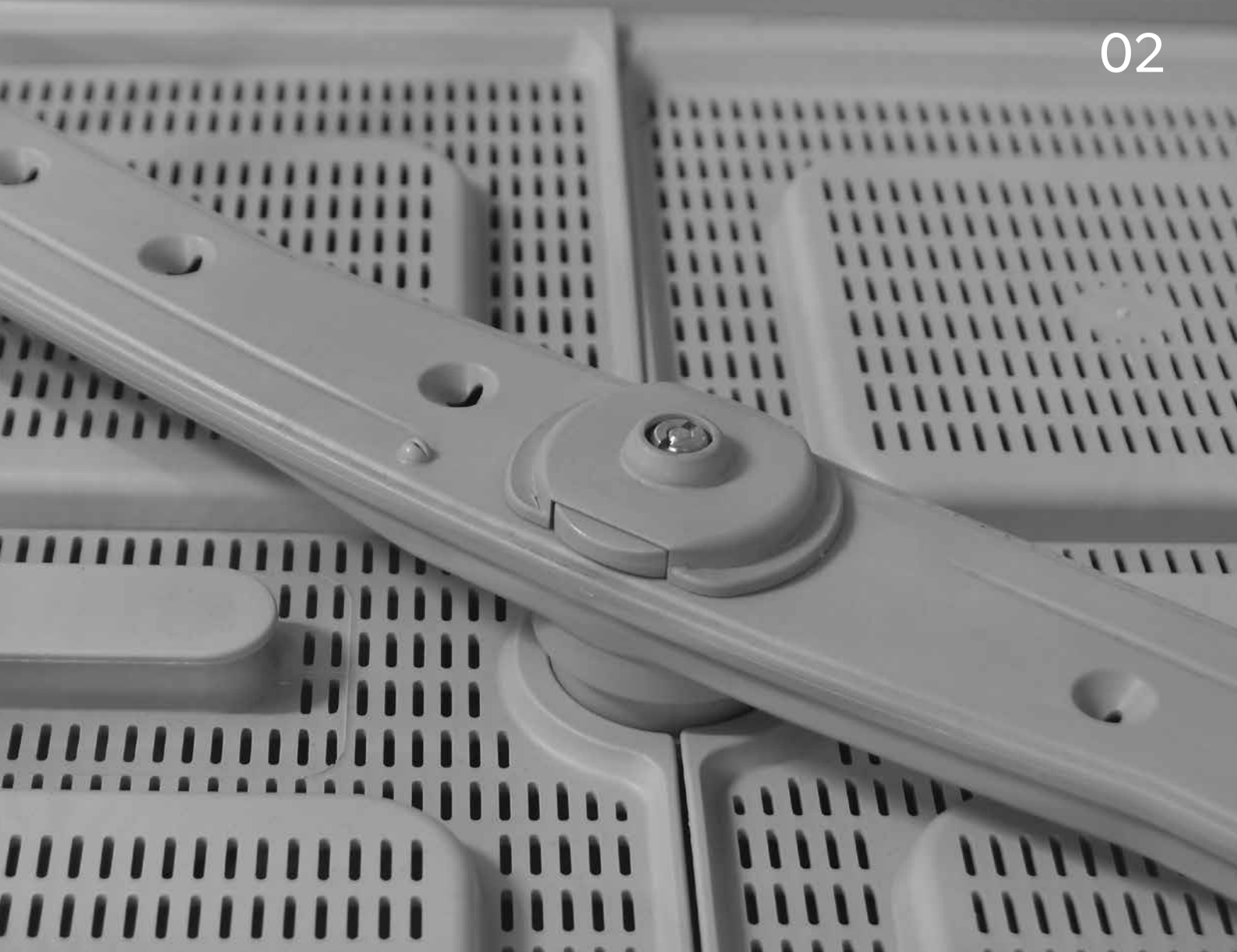
Pass-through Warewasher

The New Smartwash Range of Pass-through warewashers are the first attractive, intelligent, one touch warewashing system in Australia that offers incredibly sustainable results in water and energy consumption. This professional warewasher offers the first one touch control panel with digital wash and rinse temperature displays for easy HACCP recording for accurate food safety reporting.

These machines are sleek and compact because we know space is of the essence and presentation is key.

Only Smartwash offers you a warewasher with one touch control, drain detergent & rinse aid pumps fitted as standard, a self cleaning cycle and 4 wash cycle options, offering you an economical and sustainable solution for your business.





Water saving - uses only 1.8 litres per cycle

User friendly TOUCH control panel with digital wash and rinse temperature displays for easy HACCP recording

Four wash cycles of 60, 90 & 180 seconds + special (time variable wash cycle chosen by operator – time limit 12 min)

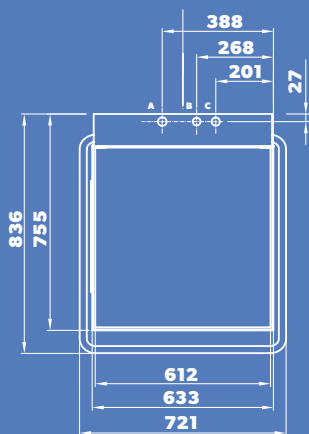
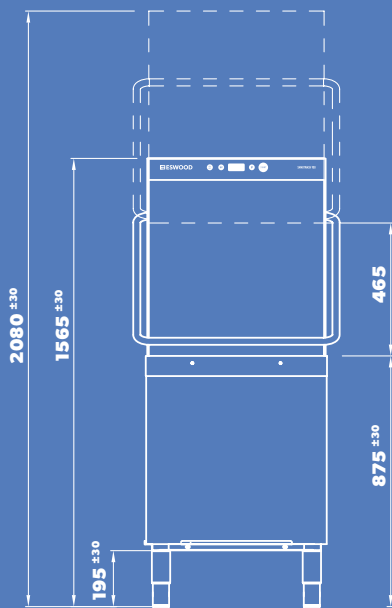
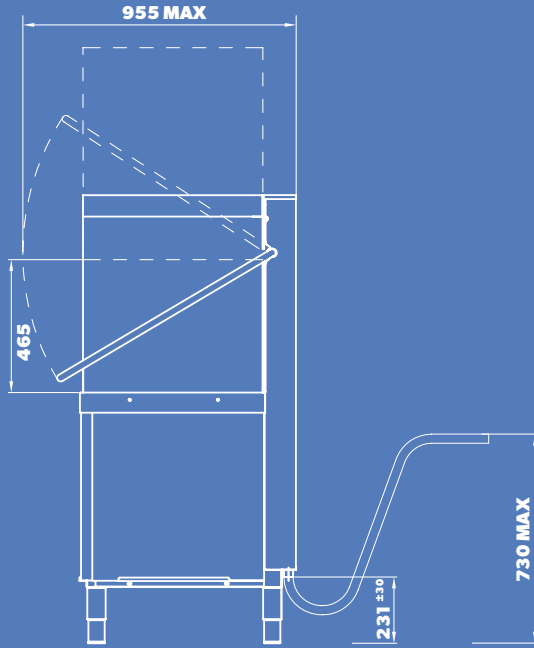
Built-in detergent and rinse aid pump fitted as standard

Huge 465 mm opening for large items e.g. Pots

Self cleaning cycle

Insulated eco hood for energy saving and noise reduction saves up to 0.5 kW per hour

- A. Drain Connection 32mm ID Hose
- B. Water Connection 3/4" x 1.5 Braided Hose
- C. Electrical Connection 3 phase (415V/50Hz/3ph+N+E)



SW900X

Professional Pass-through Warewasher

SW900X Specifications

DIMENSIONS (WxDxH)	633 x 755 x 1565 mm
HOOD CONSTRUCTION	Insulated double-skinned
HOOD OPENING	465 mm
HOOD LIFT SYSTEM	ProGlide (3 kg)
HOOD LIFT HANDLE	all-around
WASH CHAMBER	TotalClean – Pipe Free
RACK STAND CONSTRUCTION	S/S wire hinged
TANK VOLUME	22 litres
TANK CONSTRUCTION	deep drawn
TANK HEATING ELEMENT	2,5kW
WASH PUMP TYPE	Double flow
WASH PUMP POWER	700 W
RINSE SYSTEM	SmartRinse
RINSE BOOSTER PUMP	Fitted
SELF DIAGNOSTIC SYSTEM	Fitted
BOILER HEATING ELEMENT	7,0 kW
FRESH WATER CONSUMPTION	1.8 lt/rack
DRAIN SYSTEM	SmartDrain (deep drain)
DRAIN PUMP	Fitted
DOSING SYSTEM	ProDose electr. Controlled
DETERGENT & RINSE AID PUMP	Fitted
TOTAL ELECTRIC LOAD AT 415V (3PH+N+E)	10.2 kW
WASH CYCLES	60, 90, 180 sec + special
SELF CLEANING CYCLE	YES
WATERMARK APPROVAL	WMKKT25317
HACCP APPROVAL	PE-388-GE-09

Dimensions may change without notice in accordance with product development and design

Proudly Distributed By

middleby.com.au

211-217 Woodpark Road SMITHFIELD NSW 2164

T: 1800 013 123

E: sales@middleby.com.au