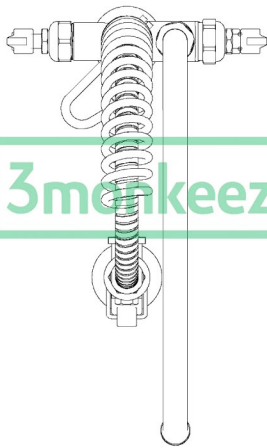


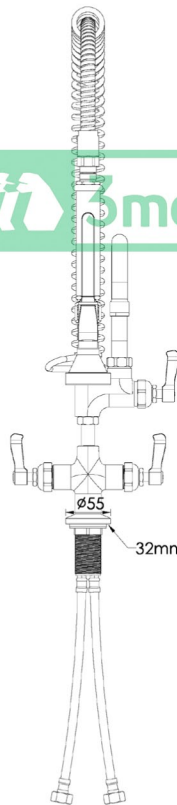
Dual Hob Mounted Pre Rinse Unit With Pot Filler Complete - Cafe > 15.10

Top



3monkeeZ

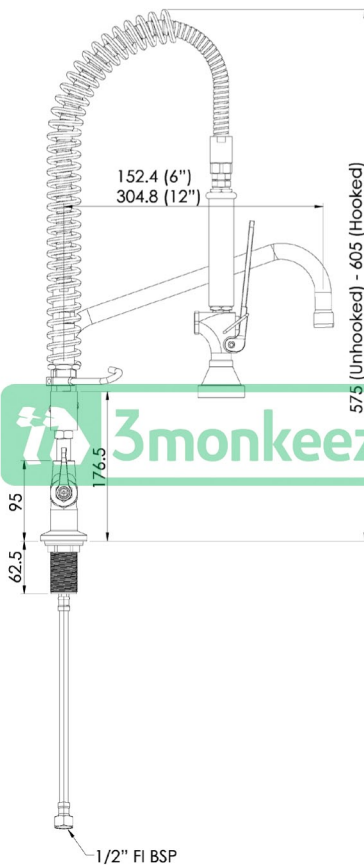
Front



3monkeeZ

32mm Bench Hole Size

Side



3monkeeZ



Product Code:

- T-3M53015-C (green) (6" PF)
- T-3M53058-C (green) (12" PF)
- T-3M53015-C-B (black) (6" PF)
- T-3M53058-C-B (black) (12" PF)

The 3monkeeZ® range of tapware is perfectly suited for commercial kitchens, schools, canteens, bars, cafes, food processing facilities or any area that commercial tapware is required. The range includes Pre Rinse Units, Mixers, Hot Wash Reels, Sensor Taps, Bubblers, Pillar and Bib Taps and more.

Features and Benefits:

- Dual Hob Tap Body Includes Inlet Hoses
- 1/2 Turn Rising Spindles
- High Water Efficiency With a 6 Star 3.5LPM Trigger Valve
- Self Closing Trigger Valve
- Stay Open Clip For Prolonged Use
- Minimal Assembly Required
- Watermark and WELS Approved
- 12 Month Replacement Warranty



Working pressure range – 150 – 1000kPa
Maximum hot water temperature – 80°C

Unit 6, 24 Wellington Street, Riverstone NSW 2765
Tel: 02 9627 6111 Fax: 02 9627 3111
sales@3monkeeZ.com.au
www.3monkeeZ.com.au

Details accurate at time of print. It is possible that some details may change without notice. Whilst all care has been taken in compiling this information, designs & dimensions shown are indicative only and should not be relied upon without prior approval.



another great idea.