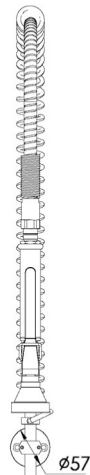


# Dual Hob Mounted Pre Rinse Unit With Pot Filler Complete > 15.2

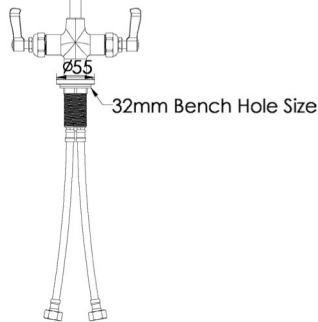
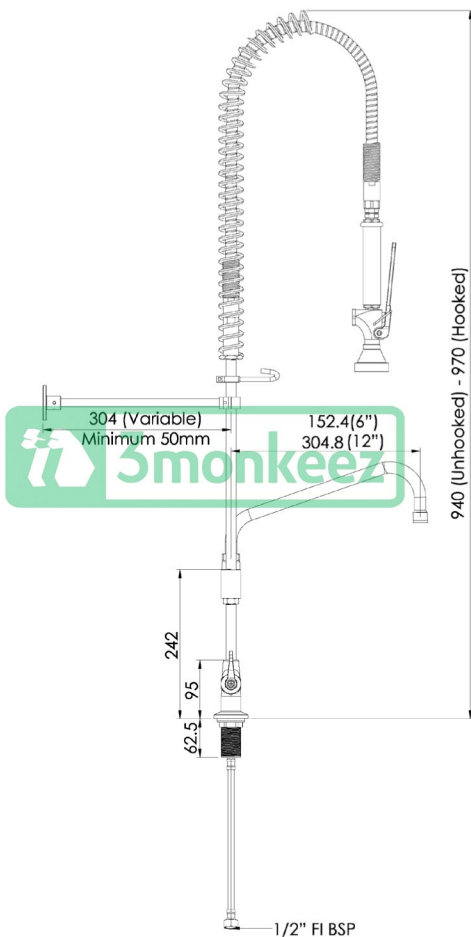
Top



Front



Side



Product Code:

**T-3M53015 (green) (6" PF)**

**T-3M53058 (green) (12" PF)**

**T-3M53015-B (black) (6" PF)**

**T-3M53058-B (black) (12" PF)**

The 3monkeez® range of tapware is perfectly suited for commercial kitchens, schools, canteens, bars, cafes, food processing facilities or any area that commercial tapware is required. The range includes Pre Rinse Units, Mixers, Hot Wash Reels, Sensor Taps, Bubblers, Pillar and Bib Taps and more.

## Features and Benefits:

- Dual Hob Tap Body Includes Inlet Hoses
- Adjustable Wall Bracket
- Available With a 6" or 12" Pot Filler - 3 Star 8LPM
- High Water Efficiency With a 6 Star 3.5LPM Trigger Valve
- Self Closing Trigger Valve With a Stay Open Clip For Prolonged Use
- Minimal Assembly Required
- Watermark and WELS Approved
- 12 Month Replacement Warranty



**Working pressure range – 150 – 1000kPa**  
**Maximum hot water temperature – 80°C**

Unit 6, 24 Wellington Street, Riverstone NSW 2765

Tel: 02 9627 6111 Fax: 02 9627 3111

sales@3monkeez.com.au

www.3monkeez.com.au

Details accurate at time of print. It is possible that some details may change without notice. Whilst all care has been taken in compiling this information, designs & dimensions shown are indicative only and should not be relied upon without prior approval.



another great idea.