

**WARRANTY 3 YEARS**  
PARTS & LABOUR



**Turbo air**

**NSW & VIC Rebate Eligible**

## BACK BAR

Fridge

MODEL : TB13-8H-SWB-N(HC)

TB13-8H-SWS-N(HC)

### FEATURES / BENEFITS

**NATURAL**  
Refrigerant

#### Digital temperature control & monitor system

Keep food products safe by maintaining constant temperatures. External digital display allows for easy monitoring.

#### Hydrocarbon(HC) refrigerants (R-290)

With innovative and eco-friendly technology, Turbo Air brings you hydrocarbon refrigerators designed to meet DOE's Energy Conservation Standards in 2017 and to use EPA's SNAP Program approved HC refrigerants. Hydrocarbon refrigerants do not deplete the ozone layer and have very low affect to global warming (ODP-0, GWP-3).

#### Forced Air cooling system

Fast colling and balanced temperature throughout the cabinet

#### High-density polyurethane insulation

The entire cabinet structure and solid doors are foamed-in-place using high density, CFC free polyurethane insulation.

#### Hot gas condensate system

Through Turbo Air's creative innovation, the condensate system surfaces have been specially treated to resist corrosion. This not only increases efficiency without the risk of refrigerant leakage from corrosion, but also thoroughly prevents the overflow of condensate water.

#### Ergonomically designed doors

Customers' fatigue fades away with easy grip handles and doors that open effortlessly. These features along with self-closing doors make this the ultimate choice in customer convenience.

#### Adjustable, heavy duty, PE (polyethylene) coated wire shelves



BLACK



SUS



#### LED interior lighting & fan control (only at Turbo Air)

Energy efficient LED lighting lights every corner, making items easy to find. Fan control function automatically shuts off the fan when the door is open, which prevents hot air from being drawn in, thus maintaining the cool inner temperature.

#### Standard features

- Anti-corrosion coated evaporator
- Self-contained system
- Door locks standard

#### Optional features

- 125mm castors fitte
- 180mm,105mm, 80mm castors optiona
- Adjustable legs 100-155mm, 70-90m

REFRIGERATOR MANUFACTURER  
**Turbo air**

■ WARRANTY: 3 Year Parts and Labour Warranty

# BACK BAR

Fridge  
**MODEL TB13-8H-SWB-N(HC)**  
**TB13-8H-SWS-N(HC)**

Model	TB13-8H-SWB-N(HC)
Refrigerant	R290
COMP (HP)	1/5HP
POWER INPUT(W)	360W
Energy consumption	3.05
AMPS(A)	1.2
Capacity	246
Product Dimension W	1300
Product Dimension D	550
Product Dimension H	790
Weight	95
Stainless steel	X
Features	EGI (BLACK)
Max GN Pan depth	
GN Pan	
Door lock	yes
Adjustable Shelves	3
LED light	yes
Temperature range	1~7°C
Ambient temperature	30°C
Drainage / Forced Evaporation	no
Temperature control	Digital control
Cooling type	FAN COOLING
Glass Type (Low-e / Heater / How many layer of the glass)	Double Pane Glass Door with Low-E glass

Design and specifications subject to change without notice.  
 Actual Shipping weight may differ due to extra packing materials for product protection.

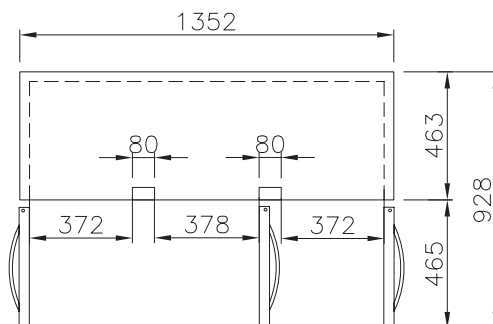
- DOOR LOCKS STANDARD
- SELF-CONTAINED SYSTEM
- LOW-E DOUBLE GLASS
- DEPTH 600MM AVAILABLE UPON REQUEST

**WARRANTY 3 YEARS**  
 PARTS & LABOUR

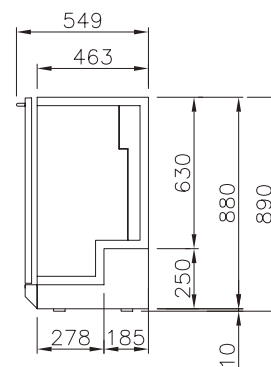


## PLAN VIEW

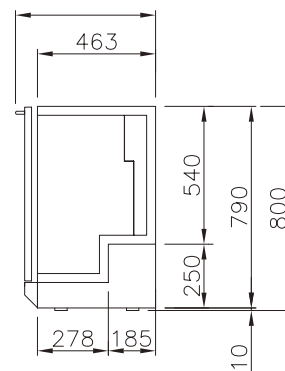
(unit : mm)



TOP VIEW



SIDE VIEW  
(900mm)



SIDE VIEW  
(800mm)

**Turbo air**

email : TA.admin@turboairinc.com.au

## AUSTRALIA BRANCH

TURBO AIR PTY LTD  
[www.turboairinc.com.au](http://www.turboairinc.com.au)  
 1st Floor, Building E  
 10 Highgate St, Auburn  
 NSW 2144 Australia  
 T. 02 9737 9881