



Brema's TB range of self-contained ice makers produces pebble-shaped ice particles and stores them in an internal storage bin.

The Brema TB852A-HC is an under bench ice machine that produces 90kg of pebbles ice per 24 hours and has storage capacity of 20kg.

Pebbles ice is ideal for crushing, blending and mixing into cocktails, fruit juices, smoothies and frappés. The ice has a fast and efficient refrigerating effect and is easy to handle and dose.

STANDARD FEATURES

- 90kg production per 24 hours
- 20kg storage capacity
- Produces pebble-shaped ice
- Production rated at 21°C air and 15°C water
- Hospital grade stainless steel outer
- Fully insulated internal storage bin
- Disappearing insulated door
- Electromechanical operation
- Powerful gear motor and auger system
- Water to ice ratio - 1L of water makes 1kg of ice

STANDARD ACCESSORIES

- Water inlet hose
- Drainage hose
- External water filter
- Pressure limiting valve
- Plastic ice scoop
- Adjustable stainless steel legs (4)

DIMENSIONS

500W x 660D x 690*H mm *add 110-150mm for adjustable legs

Clearances: Rear: 100mm Sides: 100mm

POWER SUPPLY

240V 50Hz 10A single phase (plugged)

CONNECTIONS

3/4" Water inlet, 24mm Water outlet & Electrical connection

	W	H
Water inlet	99 mm	158 mm
Water outlet	48 mm	151 mm
Electrical connection	87 mm	230 mm

TECHNICAL DATA

Energy Consumption:	440W
Production 24h:	90kg
Storage Capacity:	20kg
Cooling System:	Air
Ice type:	Pebbles
Refrigerant:	R290
Weight:	59kg
WaterMark:	Yes

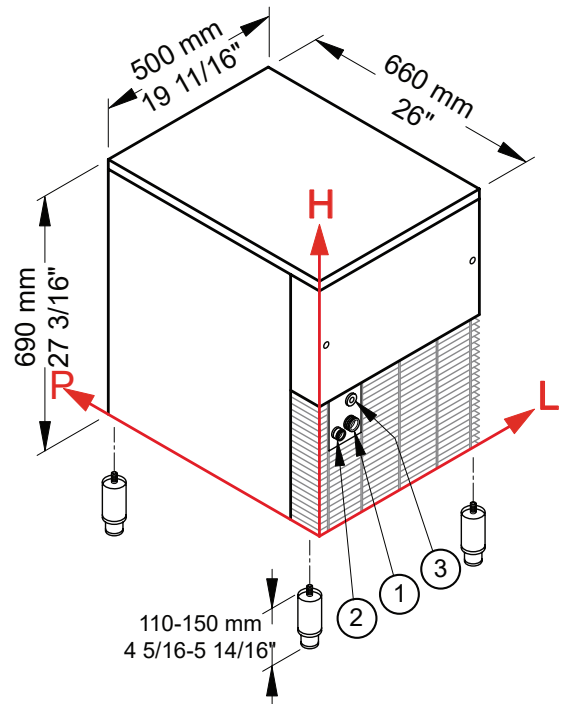
SPECIFICATIONS ARE SUBJECT TO CHANGE WITHOUT NOTICE.

TB852A-HC

SELF-CONTAINED PEBBLES ICE MAKER



Pebbles Ice



- ① Water in.
- ② Water out.
- ③ Electrical connections



National Head Office
 156 Swann Drive
 Derrimut VIC 3030
 Tel: +61 3 8369 4600
 Fax: +61 3 8369 4699
www.comcater.com.au

Melbourne
 96-100 Tope Street
 South Melbourne VIC 3205
 Tel: +61 3 8369 4600
 Fax: +61 3 8699 1299

Sydney
 20/4 Avenue of the Americas
 Newington, NSW 2127
 Tel: +61 2 9748 3000
 Fax: +61 2 9648 4762

Brisbane
 46-60 Dunhill Crescent,
 Morningside, QLD 4170
 Tel: +61 7 3399 3122

Perth
 Unit 16, 7 Abrams Street
 Balcatta, WA 6021
 Tel: +61 8 6217 0700
 Fax: +61 8 6217 0799