

**WARRANTY 3 YEARS**  
PARTS & LABOUR



**Turbo air**

**NSW & VIC Rebate Eligible**

## BACK BAR

Fridge  
**TBB-4SGD**

### FEATURES / BENEFITS

- **EFFICIENT REFRIGERATION SYSTEM**  
Turbo Air's refrigerators are designed with oversized and balance refrigeration systems. These include efficient evaporators and condensers for faster cooling and greater efficiency.
- **FORCED AIR COOLING SYSTEM**  
Fast cooling and balanced temperature throughout the cabinet.
- **STAINLESS STEEL COUNTERTOP AND INTERIOR**  
The exterior of cabinet is constructed with heavy gauge reinforced stainless steel countertop and wear-resistant black vinyl coated galvanized steel. Interior is stainless steel floor and door liners with white painted galvanized steel inside walls. Turbo Air Back Bar m guarantees utmost in cleanliness and long product life. It also can add a touch of style to the most refined setting.
- **LED INTERIOR LIGHTING FOR ALL MODELS**  
Bright LED interior lighting is specifically designed for perfect visibility throughout the interior.
- **HIGH DENSITY POLYURETHANE INSULATION**  
The entire cabinet structure is foamed-in-place using high density, CFC free polyurethane insulation.
- **ADJUSTABLE, HEAVY DUTY, PE (POLYETHYLENE) COATED WIRE SHELVES**
- **ERGONOMICALLY DESIGNED DOORS**  
Customers' fatigue fades away with easy grip handles and doors that open effortlessly. These features along with self-closing doors make this the ultimate choice in customer convenience.
- **SIDE MOUNT COMPRESSOR UNIT**  
By positioning the compressor on the side of the unit, refrigerators can now be serviced without being moved.



Easy to Clean Air Filter  
Front Access



#### Optional features

- 125mm castors fitted
- 180mm, 105mm, 80mm castors optional
- Adjustable legs 100-155mm, 70-90mm

REFRIGERATOR MANUFACTURER  
**Turbo air**

■ **WARRANTY: 3 Year Parts and Labour Warranty**

# BACK BAR

## Fridge TBB-4SGD

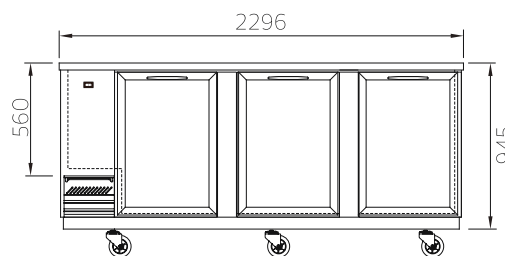
Model	TBB-4SGD
Refrigerant	R-134a
COMP (HP)	1/3HP
POWER INPUT(W)	461W
Energy consumption	
AMPS(A)	
Capacity	940
Product Dimension W	2294
Product Dimension D	692
Product Dimension H	1066
Weight	237
Stainless steel	EGI (BLACK)
Features	SCC
Max GN Pan depth	
GN Pan	
Door lock	Yes
Adjustable Shelves	8
LED light	yes
Temperature range	0~10°C
Ambient temperature	
Drainage / Forced Evaporation	Yes
Temperature control	Digital control
Cooling type	FAN COOLING
Glass Type (Low-e / Heater / How many layer of the glass)	Double Pane Glass Door with Low-E glass

Design and specifications subject to change without notice.  
Actual Shipping weight may differ due to extra packing materials for product protection.

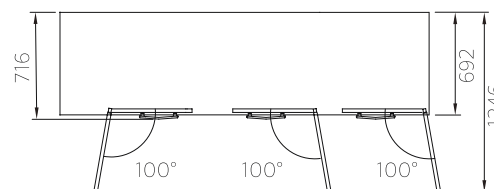
- DOOR LOCKS STANDARD
- SELF-CONTAINED SYSTEM
- 4" SWIVEL CASTERS STANDARD

### PLAN VIEW

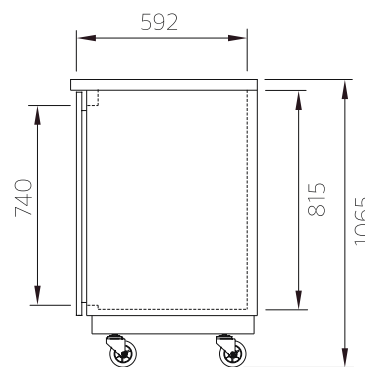
(unit : mm)



FRONT VIEW



TOP VIEW



SIDE VIEW

**WARRANTY 3 YEARS**  
PARTS & LABOUR



### AUSTRALIA BRANCH

**Turbo air**  
email : TA.admin@turboairinc.com.au

TURBO AIR PTY LTD  
[www.turboairinc.com.au](http://www.turboairinc.com.au)  
1st Floor, Building E  
10 Highgate St, Auburn  
NSW 2144 Australia  
T. 02 9737 9881