



800 SERIES FRYER

2 baskets

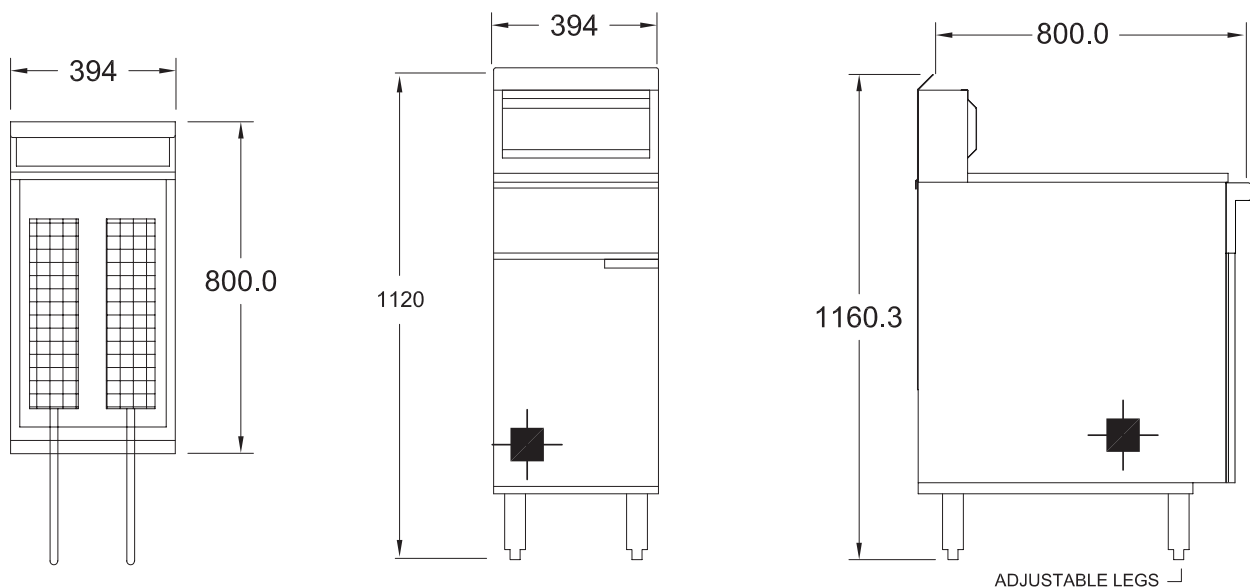
TGFIM/400L - Gas

- Turbo gas tube type fryer provides a quick recovery along with the benefit of energy efficiency
- Large cool zone for long oil life
- Stainless Steel pan for easy cleaning
- Stainless Steel baskets
- Cover/joiner strips available for multiple unit installations
- Line-up nosing

Other options

Night lid

Cover/joiner strips



TGFIM/400L 2 baskets

SPECIFICATIONS

| | |
|---------------------------|---------------------|
| Dimensions (WxDxH) | 394 x 800 x 1120 mm |
| Working height | 900 mm (±20 mm) |
| Pan Size (WxDxH) | 353 x 353 x 300 mm |
| Capacity | 28 L |

3/4" BSP Gas Connection

| | |
|-----------------------|--------------------------|
| Gas Connection | 3/4" BSP |
| Rating | 110 MJ (NG) / 87 MJ (LP) |
| Weight | 65 kg |
| Packed | 0.4 m ³ |

Australia's premier food service
equipment manufacturer

goldstein.com.au

211-217 Woodpark Road, Smithfield NSW 2164
1800 013 123 | +61 2 9604 7333

 **MIDDLEBY AUSTRALIA**

