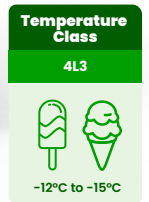


300L Gelato/ Ice Cream Display

SD-325P

The product features a transparent glass design for a 360° unobstructed display of gelato's vibrant colors and textures. It also includes an internal LOW-E glass design for excellent insulation and energy efficiency. The unit has compartmentalized sections for different ice cream flavors, storage functionality, and a drainage tray. The sliding glass door allows for easy ice cream replacement, while a lock and key provide security. Additionally, the product strictly adheres to food safety certification standards, including IEC/IECEE certification and an 8-star GEMS rating.



Key Features



GEMS Compliant

Greenhouse and energy minimum standards



Static Cooling

Keeps ice cream perfectly textured and tasty.



360° Dnobstructed Display

Showcase the vibrant colors and texture of Gelato.



LOW-E Glass Design

High-efficiency insulation energy-saving anti-fog/condensation.

Details



- With a total capacity of 30L for 6 pans, it meets various varieties and flavors of gelato.
- A wide range of containers is available, such as portion tubs, cylinders, and cakes.

Code	GEMS Star Rating	Dimensions (W x D x H mm)	Weight (kg)	Temperature Class	Max. ambient temp/RH%	Power (W/A)
SD-325P	8	1080x838x1270	82	-12°C to -15°C	30°C/55%	280/10



Brilliant LED Lighting

Showcases items with individually wired shelf lights.



Sliding Glass Door

Optimised slide rail design for reduced resistance Smooth movement.



The Gelato Pans

30L capacity with 6 gelato pans for various flavors.



Fog-Proof Condensation-Proof

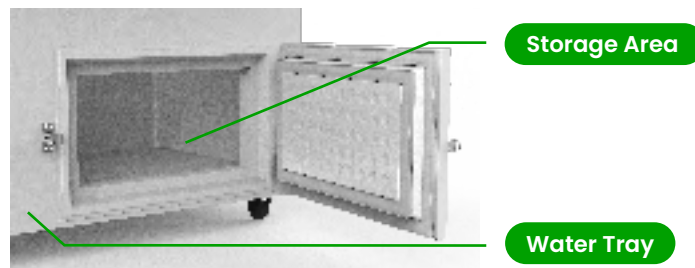
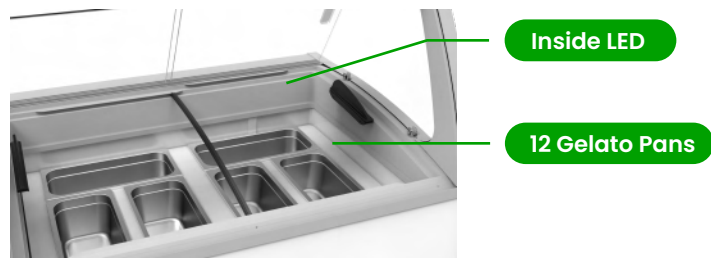
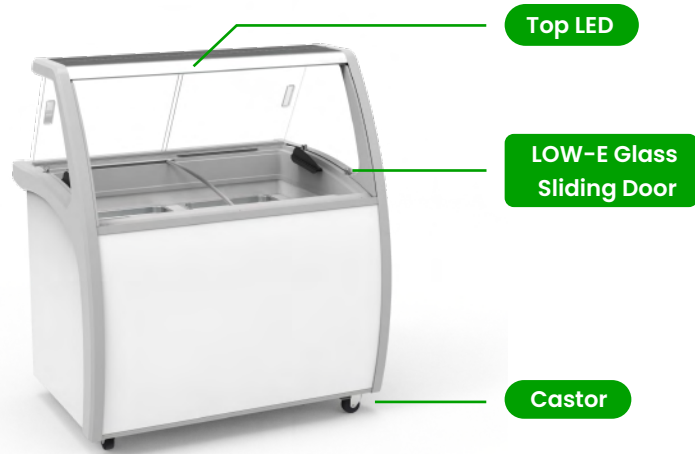
Maintenance-free, preserving the premium quality of ice cream.



Leak Prevention Function

Keeps the display cabinet dry.

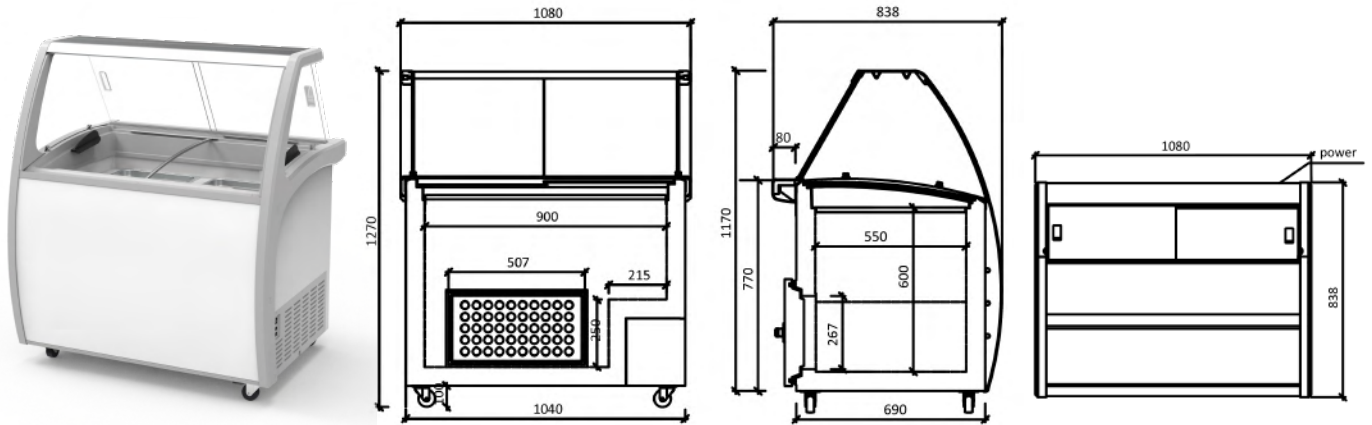
Product Design Overview



Product Summary



The product features a transparent glass design for a 360° view of gelato's colors and textures, LOW-E glass for insulation and energy efficiency, compartments for different ice cream flavors, storage space, a drainage tray, and a sliding glass door for easy ice cream replacement. It includes a lock and key for security and meets food safety standards, including IEC/IECEE certification and an 8-star gems rating.



FEATURES AND FUNCTIONALITIES

Cooling System	Static Cooling
Compressor Unit	Cubigel
Energy Efficiency	3.527 kWh/24h
Exterior & Interior of the Cabinet	Exterior Body White, Interior Body White, Pre-painted Steel.
Ergonomical Design	LED lights; Water tray 0.45L; 4 casters for easy movement; Compartmentalised design; Lock and key; Washing tank.
Durable Door Profile	LOW-E and tempering Glass sliding door.
Gelato Pan	6 Pans, 5L/pan; 304SS.
Blowing Agent	70mm, Cyclopentane.

TECHNICAL DESCRIPTION

Power Cord	10Amp plug and lead
Power cord length	2.9m (2.2m outside cabinet)
Power Supply	240V/50Hz;280W
Rated Current	1.5A
Evaporator Design	Galvanized Steel Tube
Compressor cooling capacity(W)	325
LED Lights	1x9W LED strip, upper inner liner 1x7.5W LED strip, underneath top plate 3x9.5W LED strips, front panel

SAFETY & STANDARDS

IEC/IECEE CB; GEMS(Refrigerated Cabinets) Determination 2024 ; EN 16838:2016;

PHYSICAL QUALITIES

Width (mm)	1080
Depth (mm)	838
Height (mm)	1270
Packing Width (mm)	1210
Packing Depth (mm)	1005
Packing Height (mm)	1310
Net Weight (kg)	109
Total Capacity (L)	300
Total Display Area [m ²]	0.91

PERFORMANCE SPECIFICATION

Max. ambient temp/RH	30°C 55%
Climate Class	4
Temperature Class	-12°C to -15°C
Rated kWh/year	1287.36
Refrigerant	R290 (95g)
Energy Efficiency Index (EEI)	16.6
Star Rating / GEMS Rating	8 (4L3)

WARRANTY

1 Year Parts and Labour



IEC 60335-1:2010+A1+A2
IEC 60335-2-89:2019



Customisation Options

Customised corporate solutions available upon request



Suitable For Various Scenarios



Ice Cream Shops



Outdoor Shops



Restaurants



Cafes



Supermarkets



Convenience Stores