

Versatile Pro, technology with no limits

Because Zumex is technologically advanced, it has become the world leader in the development and marketing of juicers. Versatile Pro is its best asset. The advances developed by Zumex's research team include new electronics that offer two selectable operation modes and a new and simple touch display, with advanced features. **With the Self-service mode** you will be able to offer self-service just by pressing the new tap, with an incorporated drip-free system. On the other hand, with the **Professional mode** you will be able to programme the number of oranges to be squeezed every time. The squeezing process will start by pressing 'ON' and will end when the programmed cycle has finished.

Zumex Versatile Pro enables you to configure many other functions - from choosing the language of the menu and controlling the number of cups of juice that have been served and how much fruit is squeezed, to making an incident report for the technical service. But the potential of Versatile Pro goes beyond its technology. Versatile Pro also includes an exceptional **feeder loading capacity**: up to 10kg. A fruit container that will give more freedom to the service in the bar or restaurant, and will become the ideal juicer for buffets and hotels with self-service.

The available colours for the new Versatile Pro juicers give it a sophisticated look: Orange, Silver and Graphite. The stand, an accessory that adapts to the juicer and extends the capacity of peel waste, is also available in these colours and includes a tray to remove the peel more conveniently. The rest of Zumex accessories will enable you to adapt the juicer to your needs.

Versatile Pro offers more possibilities for a wider range of services, and includes Zumex's original patented squeezing system.



Versatile Pro



TECHNOLOGICALLY PERFECT

Original System

Programming according to use
Touch Control Button Panel



Drip-free System

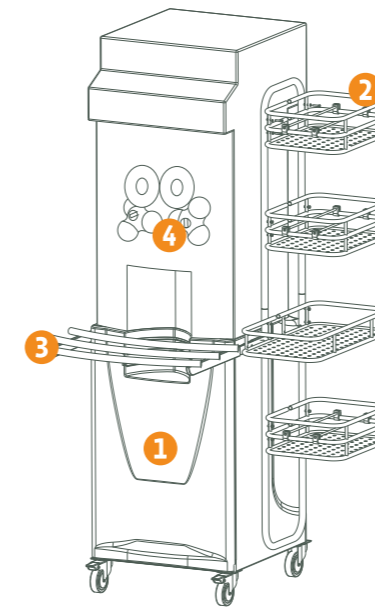
Removable base

General Characteristics

- Programmable according to the location of use:
 - Self-Service:** The juicer starts up by pressing the new tap.
 - Professional:** To programme the number of oranges to be squeezed every time. The squeezing process will start by pressing 'ON' and will end when the programmed cycle has finished.
- Touch Control Button Panel with an interface that shows the user the status of the machine at all times, and with a menu with many options that enable total control of the service.
- New drip-free tap system.
- Available in three colours: Orange, Silver and Graphite.
- New easily removable base, suitable for dishwashers.

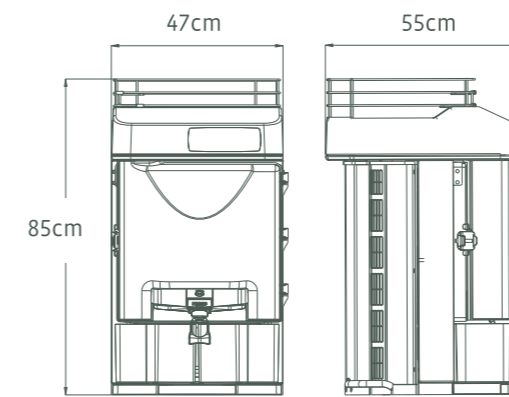
Accessories

- Stand**
Available in three colours (Orange, Silver, Graphite), with an interior tray so it is easier to clean and get rid of peel.
 - Bottles/cups kit**
A system that is fixed onto the machine and dispenses cups or bottles for the consumers - ideal for self-service locations.
 - Self-Service tray kit**
Front tray to support the tray, in Self-Service locations.
 - D65 squeezing kit**
For squeezing fruit with a diameter under 65 mm.
Kit to fix on the countertop*
To fix the machine on a countertop so that the peel falls into a bucket underneath.
Elevation kit*
Legs that are screwed onto the machine base and raise it to clean the countertop easily.
- *Only for models without a stand



Technical Characteristics

Fruit per minute:	22 oranges/minute
Feeder capacity:	10 kg / 22 lb
Fruit diameter:	Up to 81 mm
Measurements:	85 x 47 x 55 cm / 33" x 18" x 21" (with stand 165 x 47,5 x 58 cm / 65" x 18" x 23")
Net Weight:	54 kg / 119 lb (with stand 87 kg / 192 lb)
Consumption:	0.3 kW
Voltage:	230-240 V/50-60 Hz 115V/60 Hz
Damp-proof protection:	IPX4
Safety:	Double magnetic safety detector and motor protection.



The designs and specifications of the products in this catalogue can be modified without prior notice.

Versatile Pro Versions



Zumex Versatile Pro Orange



Zumex Versatile Pro Silver



Zumex Versatile Pro Graphite



Zumex Versatile Pro Podium Orange



Zumex Versatile Pro Podium Silver



Zumex Versatile Pro Podium Graphite