

Drink Machine Two-Speed

Model: VM10011

Reliable, simple and efficient blending.

Ideal for blending fresh fruit, liquid smoothie and coffee mixes and ice or ice cream.

Precision engineering and robust construction allows these blenders to homogenise the ingredients. The result is creamier, smoother frozen drinks with ice crystals so fine and so thoroughly blended, that they do not separate or lose their flavour.

With a two-speed switch, the operation can be tailored to suit the various methods used to mix different types of drinks.

Features

- Reliable robust performer.
- Wet blade, for versatile blending.
- Suitable for coffee shops and cafés.
- Tamper stick to push dense ingredients down through the blade.
- 1.4 Ltr high-impact stackable container with wet blade.
- ~2.3 HP (peak output)* motor.
- Simple 2 - speed operation.



VM10011 pictured



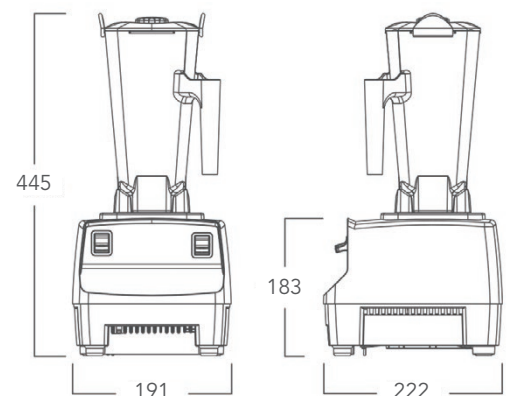
Blended Coffee



Strawberry Orange Smoothie

Specifications

- Motor: ~2.3 HP (peak output)* motor
- Electrical: Standard single phase 10 Amp plug, 230 V, 50/60 Hz, 1000 - 1200 Watts (load dependent)
- Includes: 1.4 litre high-impact, clear/stackable container, complete with Wet blade assembly, lid and base



*Load dependent. Varies with voltage. All dimensions are nominal only. Covered by 3 years warranty (1 year parts and labour followed by 2 years parts only). Conditions apply. Refer to our Terms & Conditions of Trade.