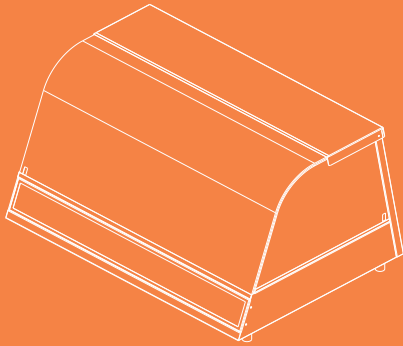


FOOD DISPLAY SERIES



W.PHC.2x
chicken display

APPLICATIONS

- Ideal for the displaying of pre-cooked chickens or other hot meats

FEATURES & BENEFITS

- Fan forced humidified display cabinet specifically designed for merchandising chickens or roast meat
- Keeps product at compliant temperatures whilst reducing moisture loss
- Gastronorm sized well (GN 1/1)
- Toughened front curved glass and toughened rear sliding doors with stainless steel rollers
- Overhead halogen heat lamps
- Multiple element design
- Option of illuminated light box for product advertising
- Utilise with optional mid shelves for additional storage space



Design your own well lit front signage



Top Illumination

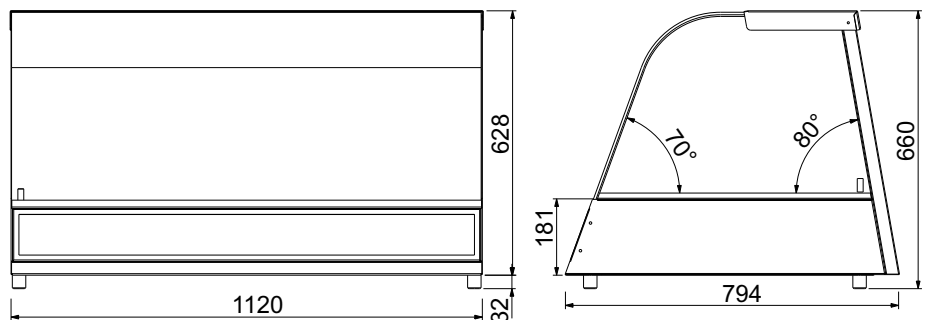
W.PHC.23 SPECIFICATIONS

Weight	155kg	kW	2.2	Amps	10
W	1120	D	800	H	660

W.PHC.24 SPECIFICATIONS

Weight	165kg	kW	3.0	Amps	15
W	1460	D	800	H	660

W.PHC.2x



Dealer:

For details of your local dealer, contact:

QLD
Tel: 07 3440 7600
Fax: 07 3344 1000
fse@stoddart.com.au

NSW
Tel: 02 8832 4399
Fax: 02 8832 4355
sydney@stoddart.com.au

VIC & TAS
Tel: 03 9565 4699
Fax: 03 9565 4655
melbourne@stoddart.com.au

WA
Tel: 08 9414 1343
Fax: 08 9414 1361
perth@stoddart.com.au

SA & NT
Tel: 1300 79 1954
adelaide@stoddart.com.au