



toaster/grillers

woodson[®]
PROFESSIONAL FOOD SERVICE EQUIPMENT

TOAST STAR

INFRA-RED
TOASTER GRILLER

MODEL: WGLI4 / WGLI8

APPLICATIONS

- Ideal for grilling, toasting or warming foods in commercial cooking applications.

CAPACITY GUIDE

- WGLI4 - 4 slices (110 x 150mm) on a 450mm x 160mm rack
- WGLI8 - 8 slices (110 x 120mm) on a 450mm x 250mm rack

FEATURES & BENEFITS

- Incredible toasting speed with unique new age infra-red elements - Can toast sliced bread in as little as two minutes
- Instant heat-up - no need to keep running; leading to power savings
- Top & bottom elements with choice of top element operation only
- Ultra reliable - no troublesome fans or electronics
- Timer controlled operation - maximum 15 minutes
- Stainless steel construction including easy-clean removable crumb tray
- High opening height with multiple rack positions

SPECIFICATIONS

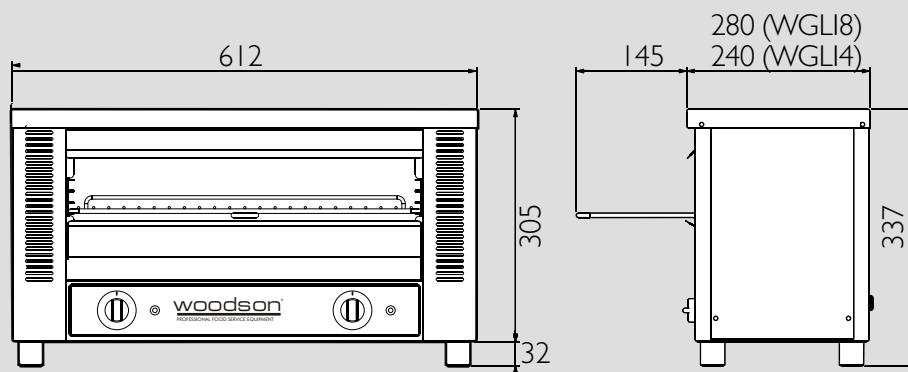
WGLI4 Amps 9.2		
Width 612	Depth 240	Height 337

WGLI8 Amps 13.75		
Width 612	Depth 280	Height 337



Optional top rack holder available - WGLI.R4 / WGLI.R8

WGLI4 / WGLI8



We reserve the right to alter specifications of products without notice

Dealer:

For details of your local dealer contact:

QLD
Tel: 07 3344 2444
Fax: 07 3345 6403
fse@stoddart.com.au

NSW
Tel: 02 8846 5999
Fax: 02 8846 5900
sydney@stoddart.com.au

VIC & TAS
Tel: 03 9584 5677
Fax: 03 9584 6744
melbourne@stoddart.com.au

WA
Tel: 08 9418 2477
Fax: 08 9418 2588
perth@stoddart.com.au

SA & NT
Tel: 1300 79 1954
adelaide@stoddart.com.au