

## Contact Grill W.CT8 / W.CT8R

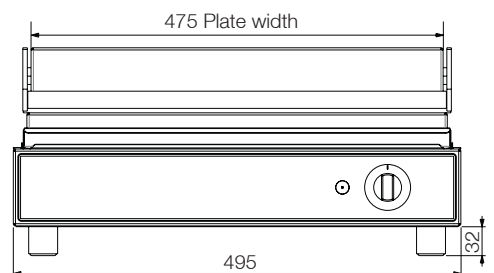
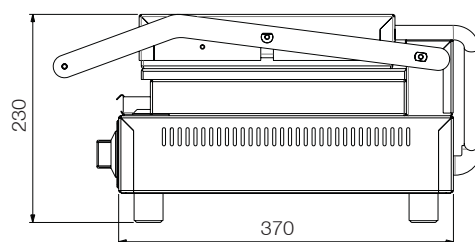
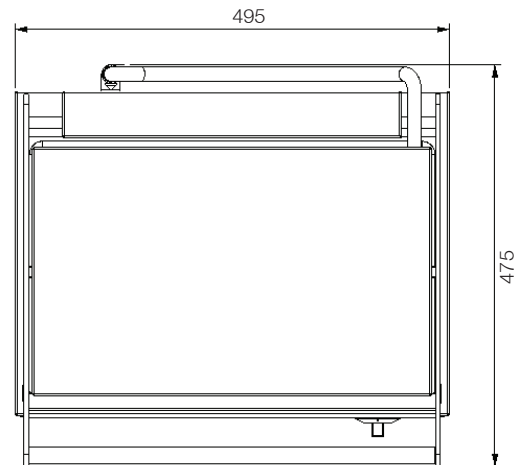


### Product Information:

- Spring balanced upper plate limits crushing of product
- Smooth finish aluminium plates or ribbed top plate
- Removable grease tray to front
- Thermostat control, 50°C- 250°C
- Complete stainless steel body & arms
- Easy clean design with fully enclosed lifting assembly
- 12mm aluminium plate

### Specifications:

<b>Model</b>	<b>W.CT8</b> <b>W.CT8R</b>
<b>Height</b>	230mm
<b>Width</b>	495mm
<b>Depth</b>	475mm
<b>Power</b>	2.2kW
	10A plug & lead fitted
<b>Capacity</b>	6-8 slices



Due to continuous product research and development, the information contained herein is subject to change without notice.

Revision: C - 03/11/2020

[www.stoddart.com.au](http://www.stoddart.com.au)

[www.stoddart.co.nz](http://www.stoddart.co.nz)