

Pro Series Computer Controlled Contact Toaster W.GPC61SC / W.GPC61SC.R.A

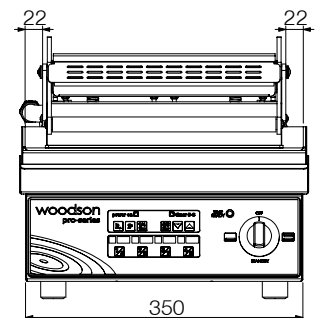
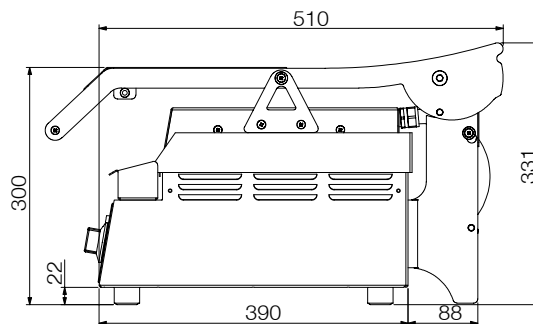
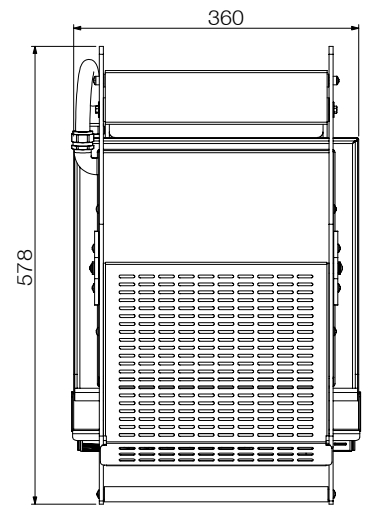
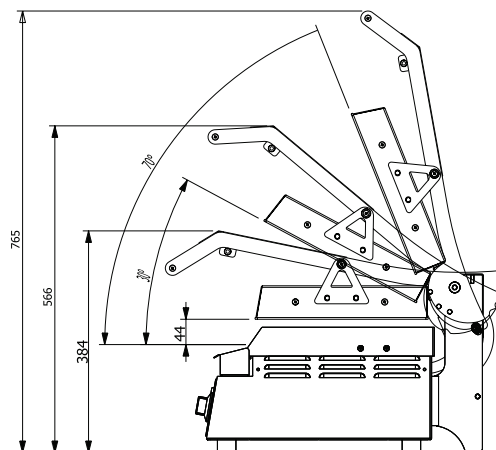


Product Information:

- Computer controlled single piece stainless steel lower plate with upstand
- Easily removed protective heat shield for increased operator safety
- LED timer display with 8 programmable settings
- Single top plate (300 x 300mm)
- Bottom plate (345 x 310mm)
- 3 mode operation - Both plates, bottom plate only, & standby
- Concealed adjustable thermostat control, preset at 210°C
- Gas strut assisted top plate for easy operation and controlled weight to product
- Anodised Ribbed top plate model available (**W.GPC61SC.R.A**)
- Eight programmable timer settings with one touch operation to achieve consistent results
- Optional Teflon sheet & clamping system available

Specifications:

Model	W.GPC61SC W.GPC61SC.R.A
Height	331mm
Width	360mm
Depth	578mm
Power	2.2kW 10A plug & lead fitted



Due to continuous product research and development, the information contained herein is subject to change without notice.

Revision: D - 31/08/2020

www.stoddart.com.au
www.stoddart.co.nz