

## Supertoast Toaster Griller W.GTQI8S.10 / W.GTQI8S.15

### Product Information:

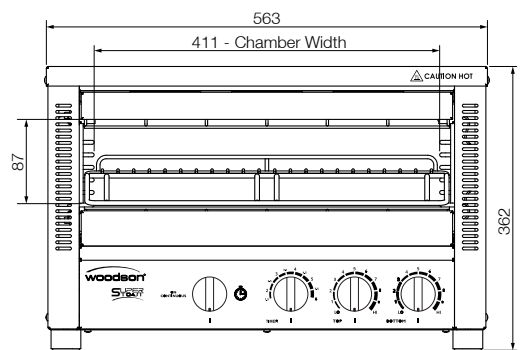
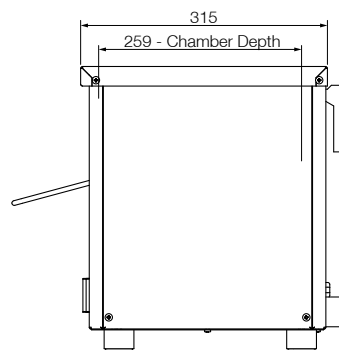
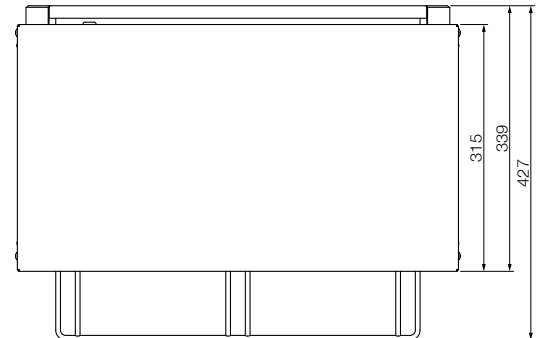
- Energy efficient 'instant' heat ceramic coated glass infrared elements
- Fast, exceptionally even grilling and toasting
- Timer controlled operation
- Multiple position slides and rack for safer loading
- Easy to clean removable crumb tray
- Stainless steel construction
- Available in 10/15 Amp models
- Variable top and bottom independent temperature controls
- 5 minute timer with bypass switch for continuous operation
- 441 x 259 x 87mm internal opening
- Includes wall mount brackets as standard



### Specifications:

**Model** W.GTQI8S.10  
**Height** 362mm  
**Width** 563mm  
**Depth** 427mm  
**Power** 2.25kW  
 10A plug & lead fitted  
**Capacity** 8 Slice

**Model** W.GTQI8S.15  
**Height** 362mm  
**Width** 563mm  
**Depth** 427mm  
**Power** 3.36kW  
 15A plug & lead fitted  
**Capacity** 8 Slice



Due to continuous product research and development, the information contained herein is subject to change without notice.

Revision: D - 31/08/2020

[www.stoddart.com.au](http://www.stoddart.com.au)  
[www.stoddart.co.nz](http://www.stoddart.co.nz)