

---

# WSbl 7731

---

Wine storage fridge  
GrandCru Selection

# LIEBHERR

Freestanding



Freestanding

**LIEBHERR**

# WSbl 7731

Wine storage fridge  
GrandCru Selection



← 75 →



Energy consump. in 365 days/24 h	77 / 0.211 kWh <sup>1</sup>
Max. No. of Bordeaux bottles 0.75 Ltr	324 <sup>2</sup>
Total volume	628 l <sup>3</sup>
Climate rating	SN-T (+10 °C to +43 °C)
Frequency / voltage	50/60 Hz / 220-240 V-
Connection Rating	1.5 A
Door	Full door, black
Side walls	black
Exterior dimensions in cm (h / w / d)	204.4 / 74.7 / 76.3 <sup>3</sup>
<b>Controls</b>	
Type of Control	LC monochrome display in the door, touch electronic Digital temperature display
SmartDevice compatible	Optional extra SmartDeviceBox required
Alarm in case of malfunction	visual and acoustic
Door alarm	visual and acoustic
Child proof function	yes
<b>Features</b>	
Temperature zones	1
Temperature range	+5 °C to +20 °C
Adjustable cooling circuits	1
Forced air system	Convection cooling, fresh air supply via FreshAir activated charcoal filter
Interior light	LED ceiling lighting
Handle	Aluminium handle
Shelf material	Adjustable beech wood shelves
Storage shelves	7
Door hinges	Reversible door hinging, right
Lock	Fitted
EAN-Nr.	9005382254158

<sup>1</sup> To achieve the indicated energy consumption level, the wall spacers provided with the appliance must be used. These increase the appliance depth by approximately 3.5 cm. If the wall spacers are not used, the appliance will remain fully functional, but will have a slightly higher energy consumption level.

<sup>2</sup> These models are only bound for storing wine. Maximum DIN norm bordeaux bottles capacity (0.75 l) as per norm NF H 35-124 (H: 300.5 mm, Ø 76.1 mm)

<sup>3</sup> In accordance with Regulation EU 2019/2016 we indicate the total volume to the nearest integer (rounded off) and the volume of the frozen compartments and refrigeration compartments to one place after the decimal point.

## Features

---



**VibrateSafe**

Your wine needs peace and quiet. That's why our wine storage cabinets guarantee gentle storage with particularly quiet compressors specially developed by Liebherr and stable wooden shelves made of solid beech wood. This allows your wine to mature quietly and undisturbed.



**HumidityControl**

The perfect climate conditions can only be created with the correct combination of temperature and humidity. HumidityControl allows you to adjust the humidity to your needs. For an optimal storage climate and the opportunity to enjoy that freshness for even longer.



**Wooden shelf, height-adjustable**

Maximum capacity. A Liebherr wine storage cabinet also makes it easier to organise a growing wine collection. To take full advantage of its capacity, the interior has been designed so that your wine bottles can be stored neck-to-neck on the wooden shelves. This means there's plenty of room even for ever-increasing wine stocks. So feel free to keep collecting.



**Precision temperature settings**

If not kept at the right storage temperature, wine can be harmed and lose its quality. The precise electronic control system ensures that the required temperature is constantly maintained in your Liebherr wine storage cabinet. It can be set to the exact degree between +5 °C and +20 °C. The current temperature is shown on the display.



**EasyFill loading aid**

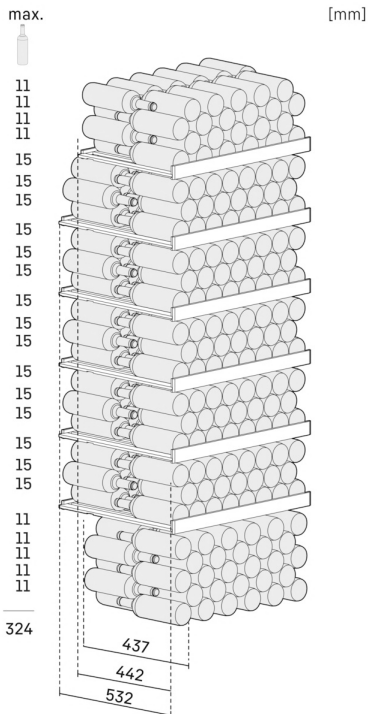
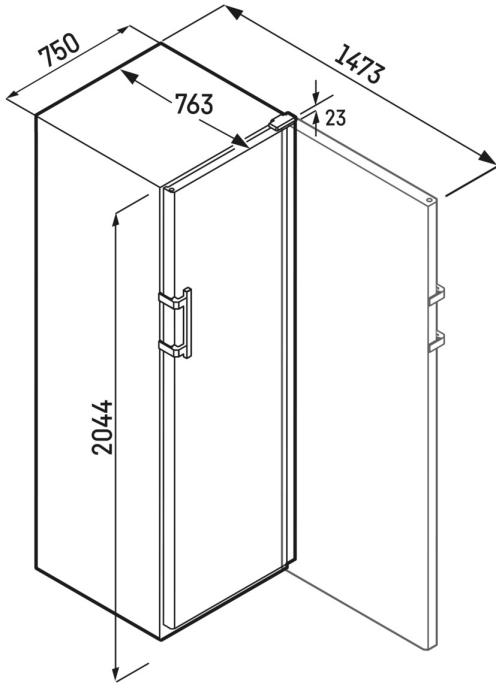
Lighten the load. The EasyFill loading aid ensures that the door of your wine storage cabinet remains open from an angle of 90° – for particularly easy filling. And thanks to the SelfClosing mechanism, the door closes all by itself when opened less than 90° – always as gently as your valuable wines require.



**FreshAir charcoal filter**

To ensure that your wine can mature in optimum air quality, all Liebherr wine storage cabinets have an activated charcoal filter that reliably binds odours of all kinds. This means your wine will keep its pure bouquet. To make sure that it stays that way, your Liebherr reminds you every 6 months to change the filter, which you can easily do yourself.

# Technical drawing



Products and their details are staged for advertising purposes. Whilst every effort is made to ensure all specifications and information in this flyer are accurate, Liebherr reserves the right to make changes without notification. Where actual appliance measurements, specifications, and ratings are crucial, we recommend that the actual appliance installation instructions that accompany each appliance be checked. (02.04.2024)

